

# SMARTFLOOR 2020

## Ford Transit Custom L1/L2 2024 Installation Manual



Manual nr 15026244 Rev 3 (2024.11.07)  
Loyds Industri AS 2024-06-14

## Contents

15026332 SF Ford Transit Custom L1 1SLD  
15025666 SF Ford Transit Custom L1 2SLD  
15026334 SF Ford Transit Custom L2 1SLD  
15025696 SF Ford Transit Custom L2 2SLD

**LH** Left hand side

**RH** Right hand side

**L&R** Left and right side

**1SLD** 1 slide door

**2SLD** 2 slide doors

**L1** Length 1

**L2** Length 2

**L1/L2** Both length

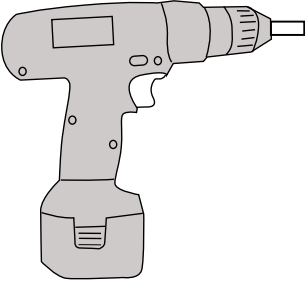

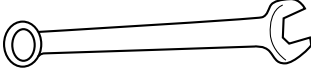
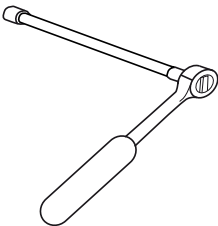



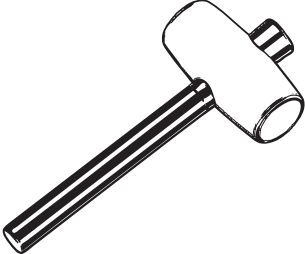
# Revision Record

Rev nr	Date	Page	Picture	Update	New	Deleted steps
1	26.06.2024	19			Added a new picture	
2	28.06.2024	4,5,6,7,8,10 17,22	19,20,21,22 23,44,45,46,47		Remove H-profil L1/L2	
3	07.11.2024	4,5,8,13,17	23			

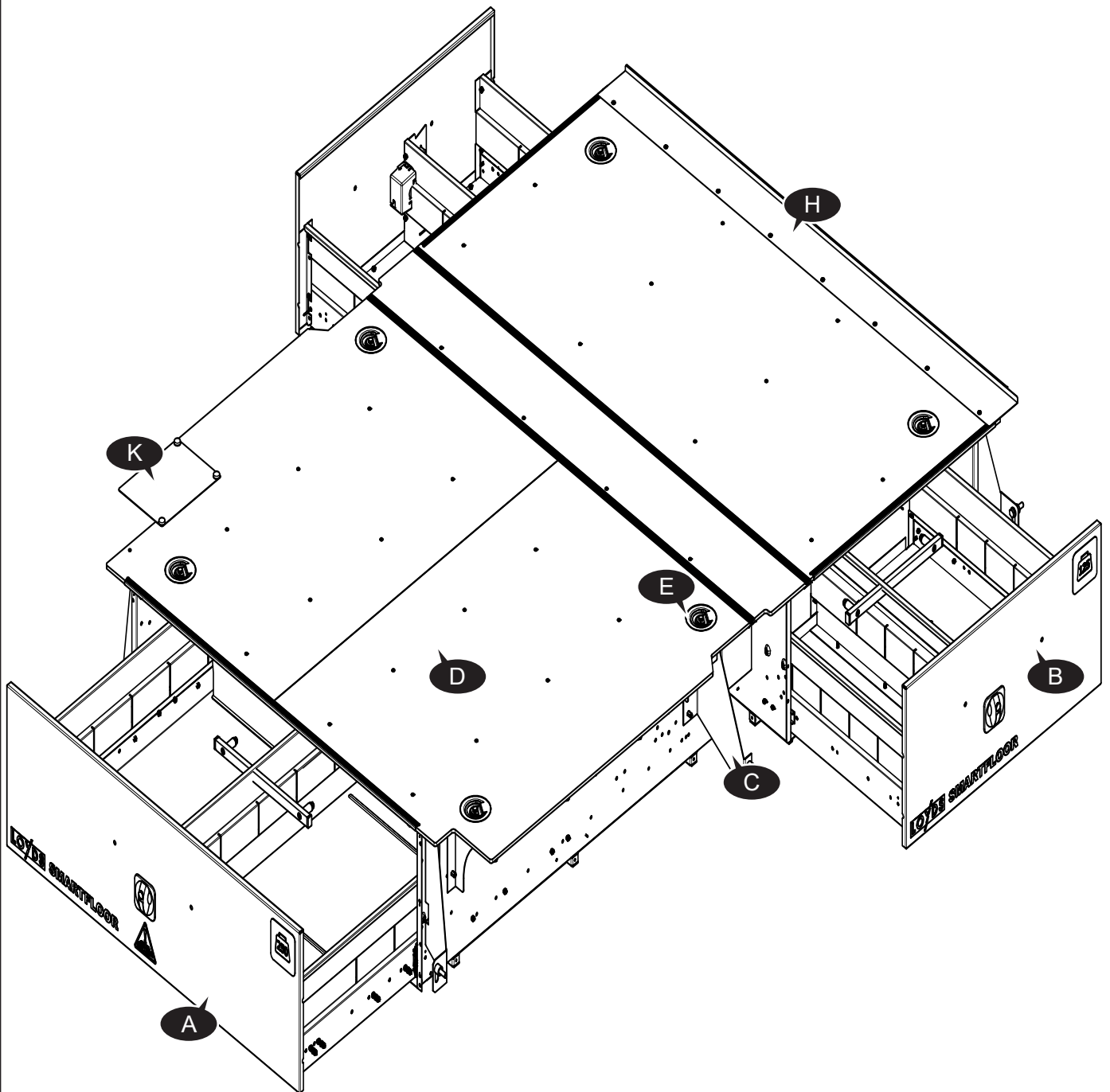
## Recomended attraction moments screws:

4,2mm Selfdrilling: 3,6 NM  
 6mm: 6 NM  
 8mm: 10 NM  
 10mm: 42 NM

# Tools

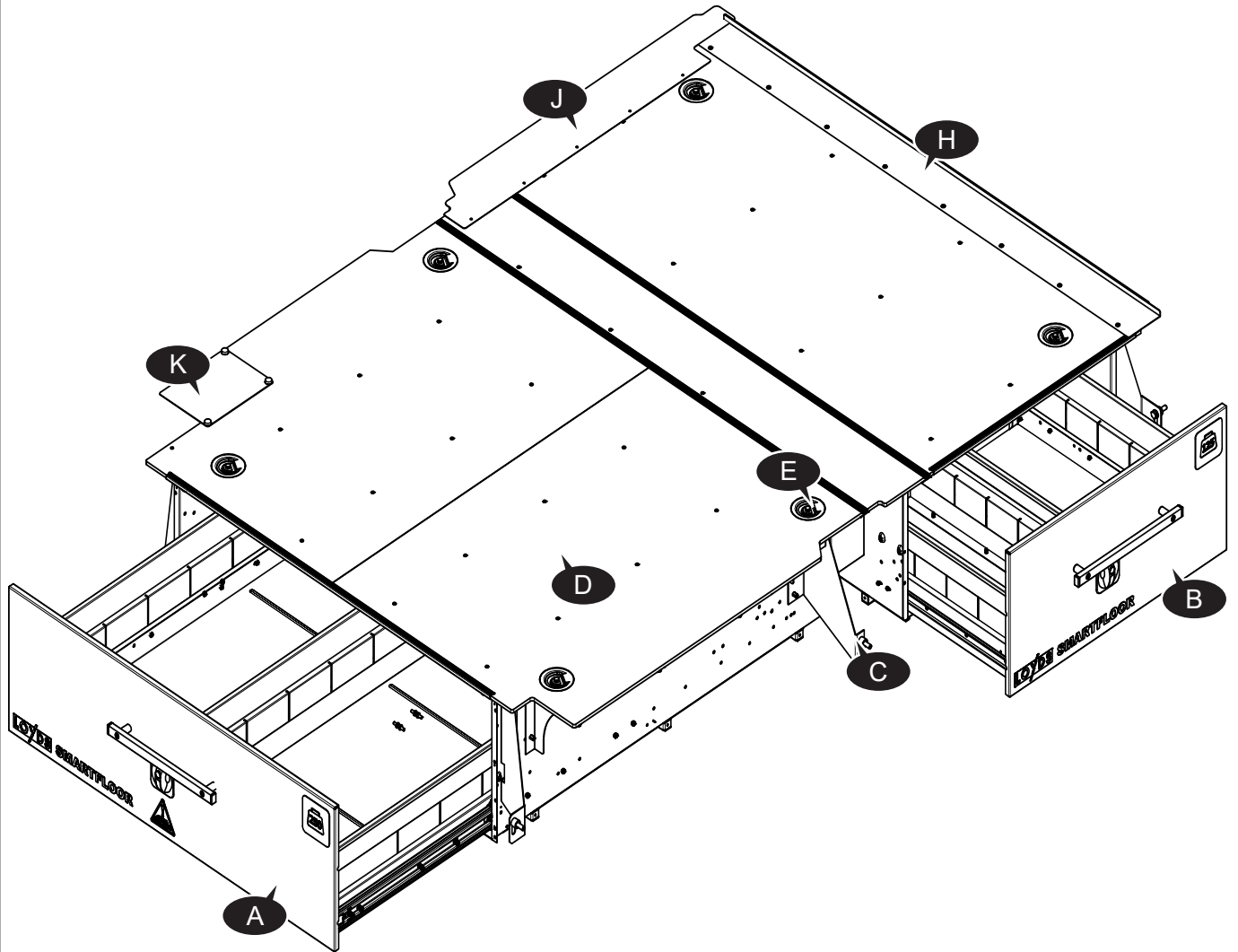
		<p>10,13 mm</p> 	<p>10,13, 16, 17 mm</p> 
<p>Bits T30</p>   			

15025666 SF Ford Transit Custom L1 2SLD



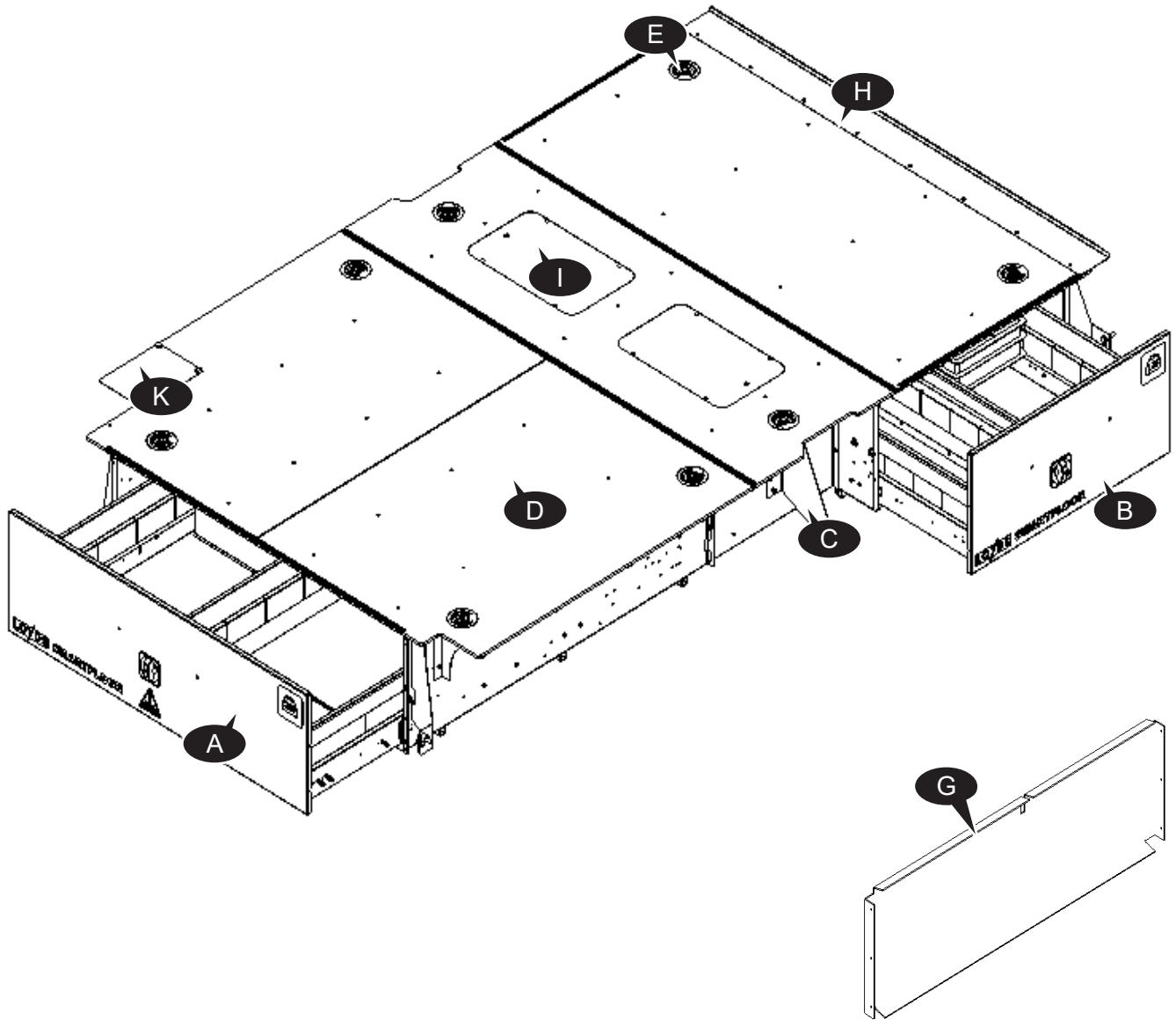
Item	Quantity	Part Number	Description
A	1	15022501	Rear Drawer RD W1140 L1200
B	1	15022500	Front Drawer FD2 W770 L1550
C	1	15026188	Steel Bracket Set Ford Transit Custom L1 2024
D	1	15026186	Floor Kit Ford Transit Custom L1 2024
E	1	15026187	Fitting Kit Floor Ford Transit Custom L1 2024
K	1	15026163	SF Ford Transit Custom Tool Box Lid
H	1	15026171	SF Ford Transit Custom L1 L2 Cover plate Front

15026332 SF Ford Transit Custom L1 1SLD



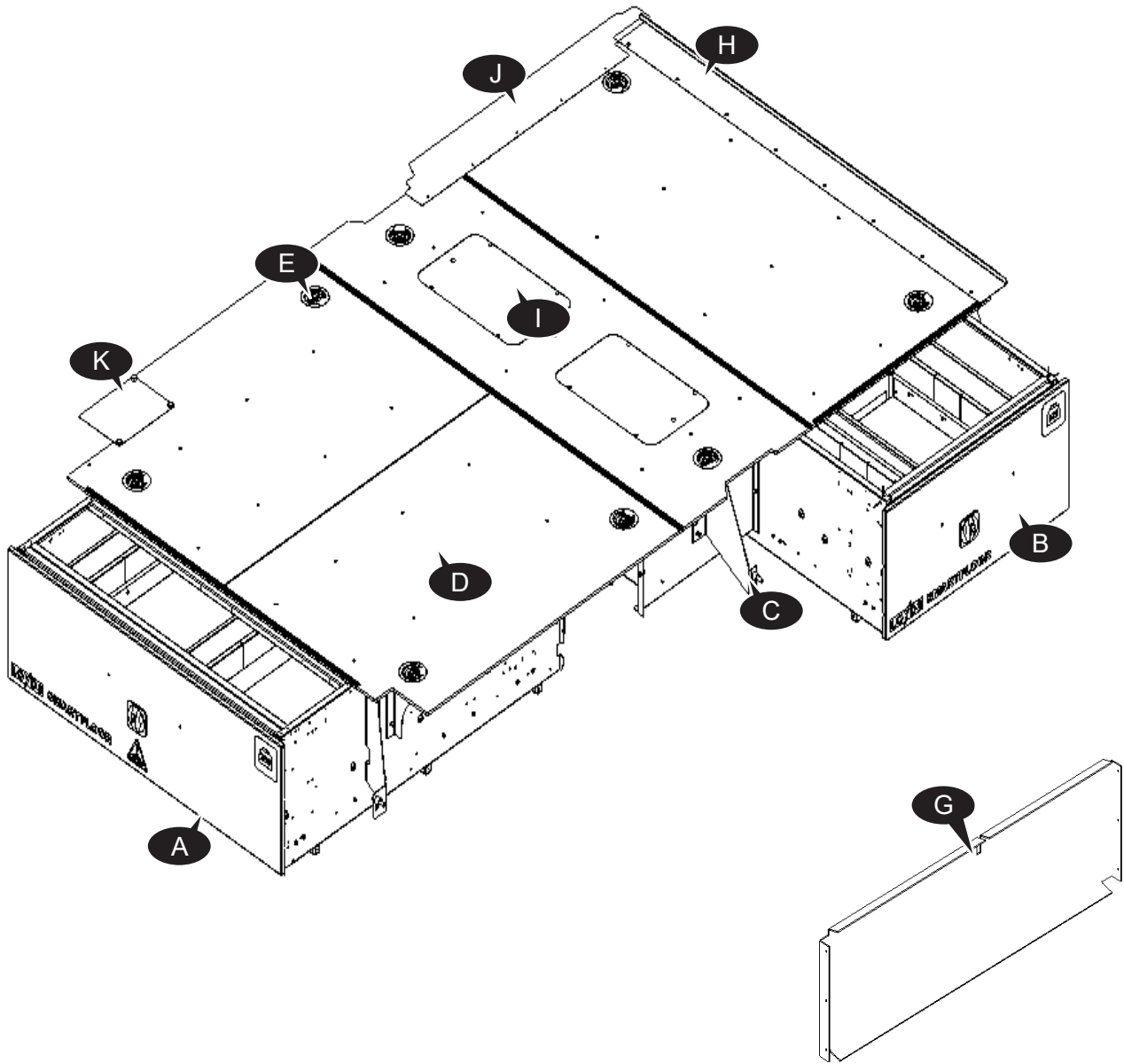
Item	Quantity	Part Number	Description
A	1	15022501	Rear Drawer RD W1140 L1200
B	1	15022500	Front Drawer FD2 W770 L1550
C	1	15026188	Steel Bracket Set Ford Transit Custom L1 2024
D	1	15026186	Floor Kit Ford Transit Custom L1 2024
E	1	15026187	Fitting Kit Floor Ford Transit Custom L1 2024
K	1	15026163	SF Ford Transit Custom Tool Box Lid
H	1	15026171	SF Ford Transit Custom L1 L2 Cover plate Front
J	1	15026333	SF Ford Transit Custom 1SLD Cover plate

15025696 SF Ford Transit Custom L2 2SLD



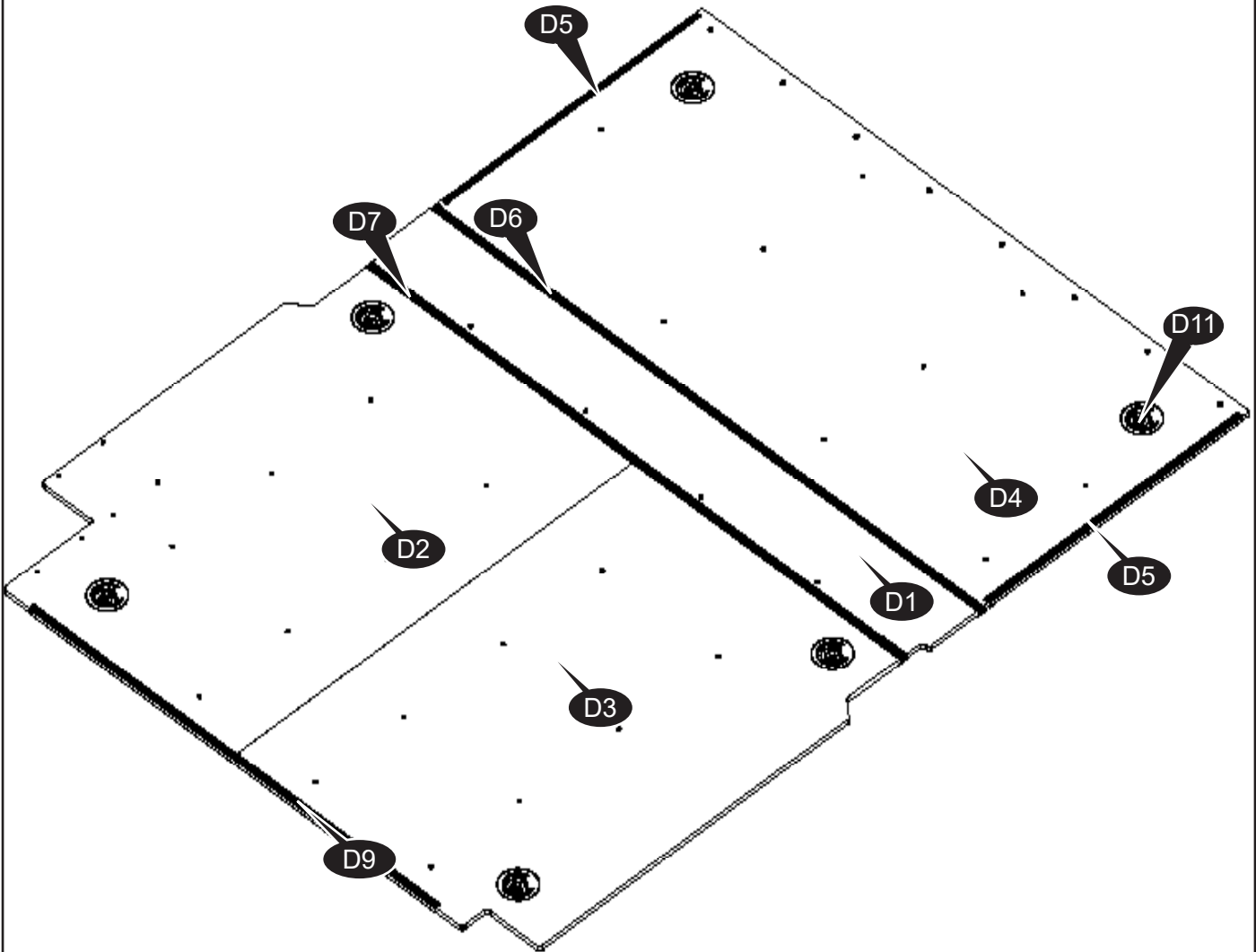
Item	Quantity	Part Number	Description
A	1	15022501	Rear Drawer RD W1140 L1200
B	1	15022500	Front Drawer FD2 W770 L1550
C	1	15026176	Steel Bracket Set Ford Transit Custom L2 2024
D	1	15026175	Floor Kit Ford Transit Custom L2 2024
E	1	15026184	Fitting Kit Floor Ford Transit Custom L2 2024
K	1	15026163	SF Ford Transit Custom Tool Box Lid
G	1	15026177	PP-Wall Middle Ford Transit Custom L2
H	1	15026171	SF Ford Transit Custom L1 L2 Cover plate Front
I	1	15022462	Hatch Floor 280x450 SF 2020

15026334 SF Ford Transit Custom L2 1SLD



Item	Quantity	Part Number	Description
A	1	15022501	Rear Drawer RD W1140 L1200
B	1	15022500	Front Drawer FD2 W770 L1550
C	1	15026176	Steel Bracket Set Ford Transit Custom L2 2024
D	1	15026175	Floor Kit Ford Transit Custom L2 2024
E	1	15026184	Fitting Kit Floor Ford Transit Custom L2 2024
K	1	15026163	SF Ford Transit Custom Tool Box Lid
G	1	15026177	PP-Wall Middle Ford Transit Custom L2 (Same item on side 4)
H	1	15026171	SF Ford Transit Custom L1 L2 Cover plate Front
I	1	15022462	Hatch Floor 280x450 SF 2020
J	1	15026333	SF Ford Transit Custom 1SLD Cover plate

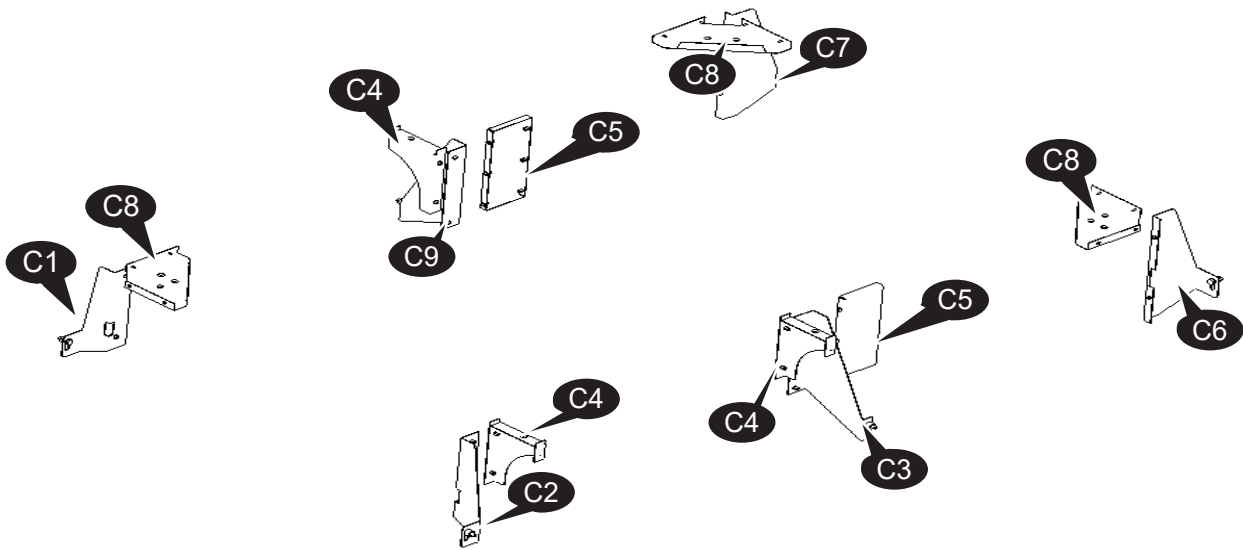
15026186 Floor Kit Ford Transit Custom L1 2024



Item	Quantity	Part Number	Description
D1	1	15026161	Floor Mid Ford Transit Custom L1 2024
D2	1	15026159	Floor Rear Ford Transit Custom L1 2024 Left
D3	1	15026160	Floor Rear Ford Transit Custom L1 2024 Right
D4	1	15026185	Floor Front Ford Transit Custom L1 L2 2024
D5	2	15026173	U-profile 9mm L=764
D6	1	15026152	H-profile 9mm L=1653
D7	1	15026162	H-profile 9mm L=1613
D9	1	15022714	U-profile 9mm L=1224
D11	6	15026187	Fitting Kit Floor Kit Ford Transit Custom L1 2024

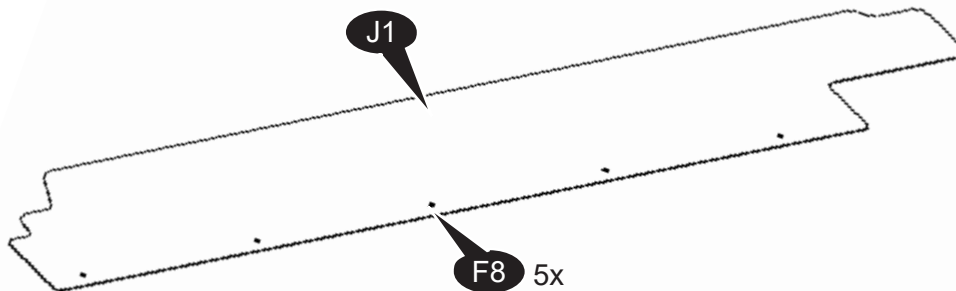


## 15026188 Steel Bracket Set Ford Transit Custom L1 2024



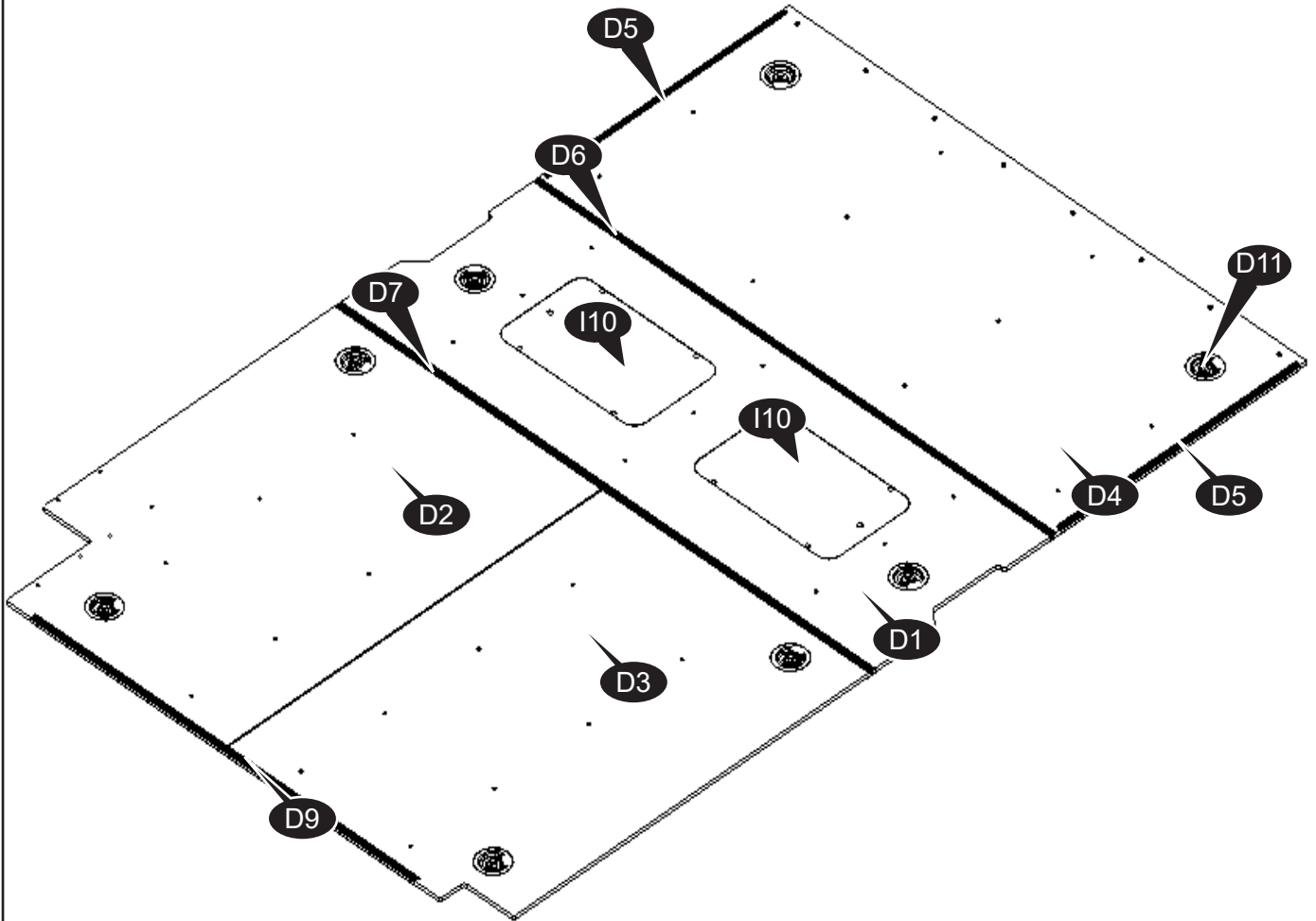
Item	Quantity	Part Number	Description
C1	1	15025679	Bracket Rear Left Transit Custom ASSY
C2	1	15025683	Bracket Rear Right Transit Custom ASSY
C3	1	15025681	Bracket Side Right Transit Custom ASSY_MIR
C4	5	15018461	Bracket Latchcup Side M8 SF 2020 ASSY
C5	2	15026179	Bracket Distance FD RD Ford Transit Custom L1 2024 Right ASSY_MIR
C6	1	15026182	Bracket Front Right Transit Custom ASSY_MIR
C7	1	15025670	Bracket Front Left Transit Custom ASSY
C8	3	15018460	Bracket Latch Inner 8mm ASSY
C9	1	15025677	Bracket Side Left Transit Custom ASSY

## 15026333 SF Ford Transit Custom 1SLD Cover Plate



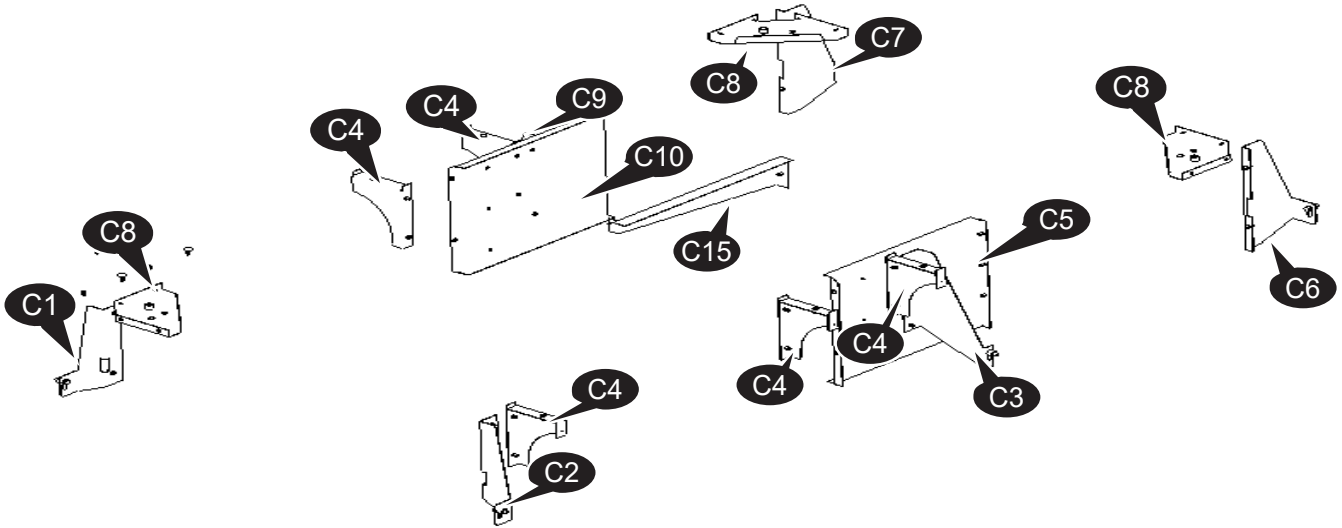
Item	Quantity	Part Number	Description
J1	1	15026333	SF Ford Transit Custom 1SLD Coer Plate
F8	5	4,2x13 S	4,2x16 FLS Platescrew selftapping BLACK

15026175 Floor Kit Ford Transit Custom L2 2024



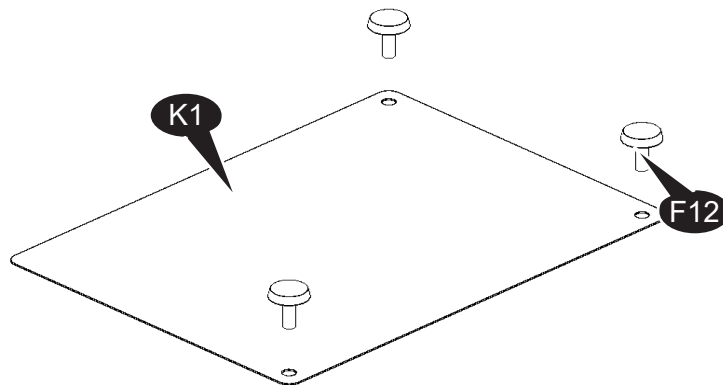
Item	Quantity	Part Number	Description
D1	1	15026150	Floor Mid Ford Transit Custom L2 2024
D2	1	15025929	Floor Rear Ford Transit Custom L2 2024 Left
D3	1	15026154	Floor Rear Ford Transit Custom L2 2024 Right
D4	1	15026185	Floor Front Ford Transit Custom L1 L2
D5	2	15026173	U-profile 9mm L=764
D6	1	15026152	H-profile 9mm L=1653
D7	1	15026153	H-profile 9mm L=1706
D9	1	15022714	U-profile 9mm L=1224
I10	1	15022462	Hatch Floor 280x450 SF 2020
D11	8	15026184	Fitting Kit Floor Kit Ford Transit Custom L2 2024

## 15026176 Steel Bracket Set Ford Transit Custom L2 2024



Item	Quantity	Part Number	Description
C1	1	15025679	Bracket Rear Left Transit Custom ASSY
C2	1	15025683	Bracket Rear Right Transit Custom ASSY
C3	1	15025681	Bracket Side Right Transit Custom ASSY_MIR
C4	5	15018461	Bracket Latchcup Side M8 SF 2020 ASSY
C5	1	15025925	Bracket Distance FD RD Ford Transit Custom L2 2024 Right ASSY_MIR
C6	1	15026182	Bracket Front Right Transit Custom ASSY_MIR
C7	1	15025670	Bracket Front Left Transit Custom ASSY
C8	3	15018460	Bracket Latch Inner 8mm ASSY
C9	1	15025677	Bracket Side Left Transit Custom ASSY
C10	1	15026331	Bracket Distance FD RD Ford Transit Custom L2 2024 Left ASSY
C15	1	15026156	Bracket Distance Middle SF Ford Tr Custom L2 ASSY

## 15026163 SF Ford Transit Custom Tool Box Lid



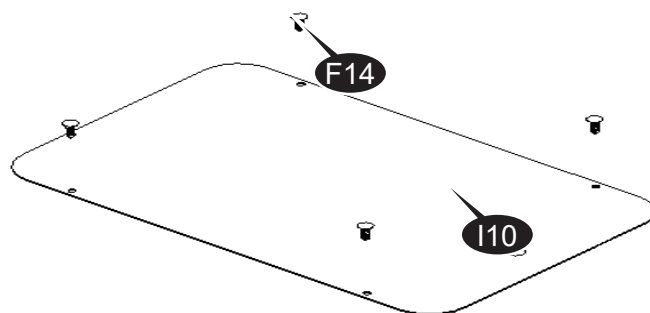
Item	Quantity	Part Number	Description
K1	1	15026163	SF Ford Transit Custom Tool Box Lid
F12	3	M6x20	Ø20 Rattskrue

## 15026171 SF Ford Transit Custom L1 L2 Cover plate Front



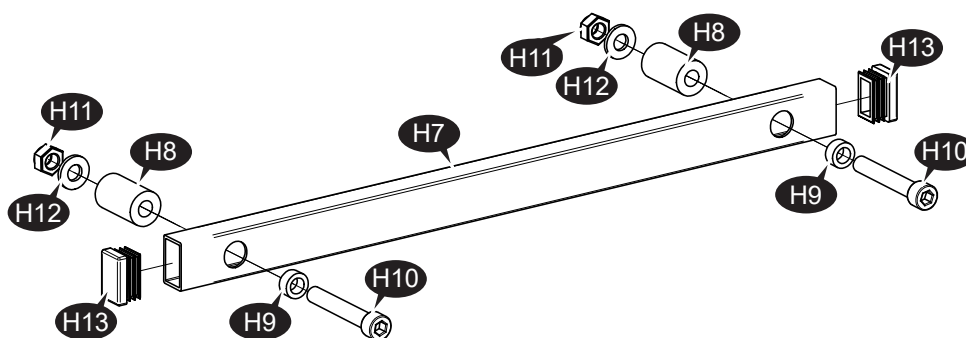
Item	Quantity	Part Number	Description
H1	1	15026171	SF Ford Transit Custom L1 L2 Cover plate Front
F4	1	721004	Rubber Profile L1600mm:1
F8	8	4,2x16 S	4,2x16 FLS Platescrew selftapping BLACK

## 15022462 Hatch Floor 280x450 SF 2020



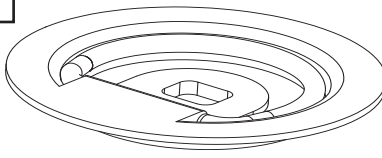
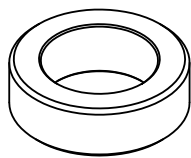
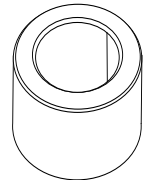
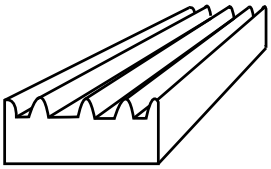
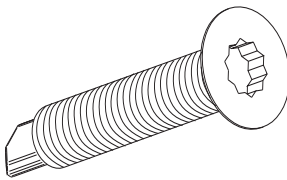
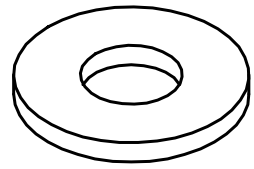
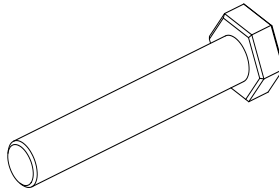
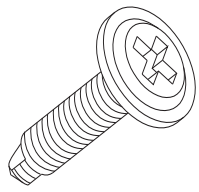
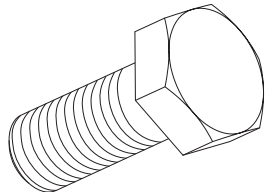
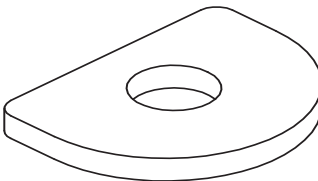
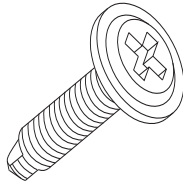
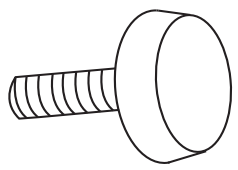
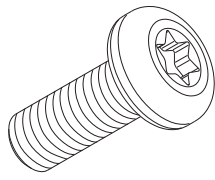

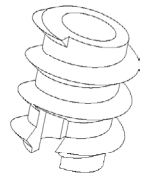

Item	Quantity	Part Number	Description
I10	2	15022462	Hatch Floor 280x450 SF 2020
F14	8	Sort plastpropp	Black FTB

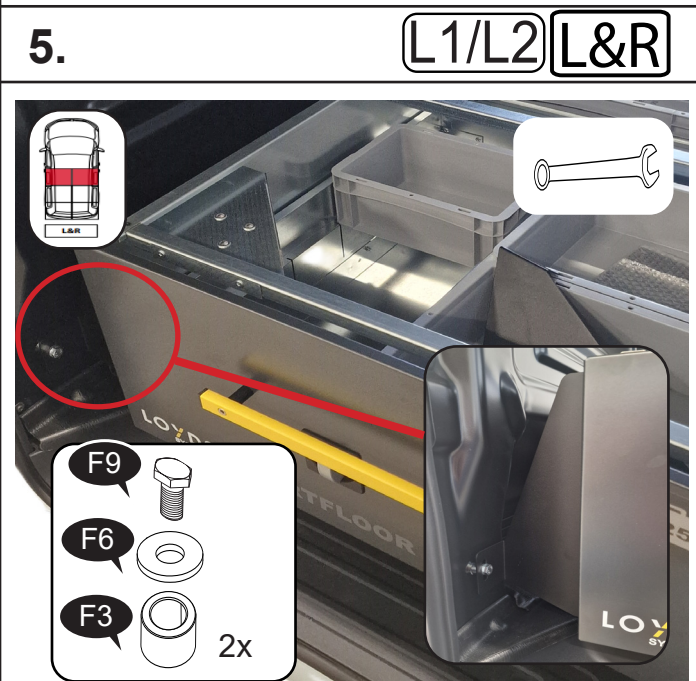
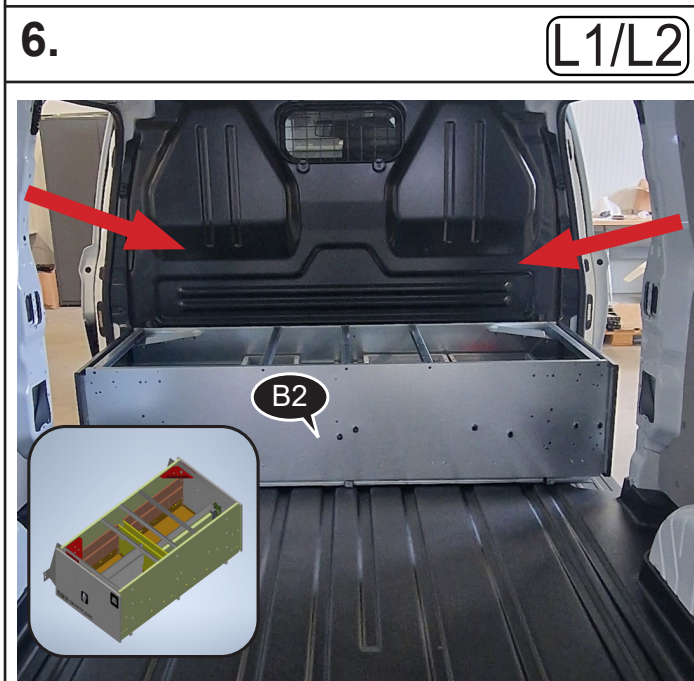
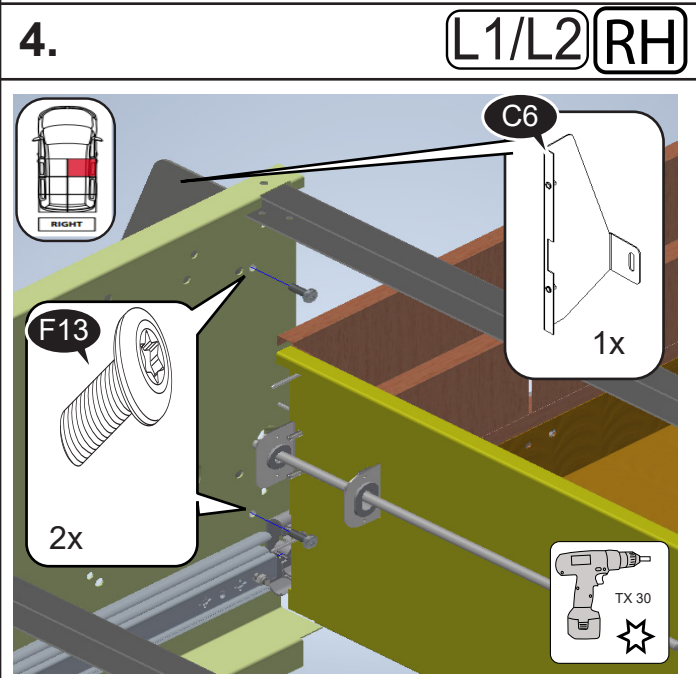
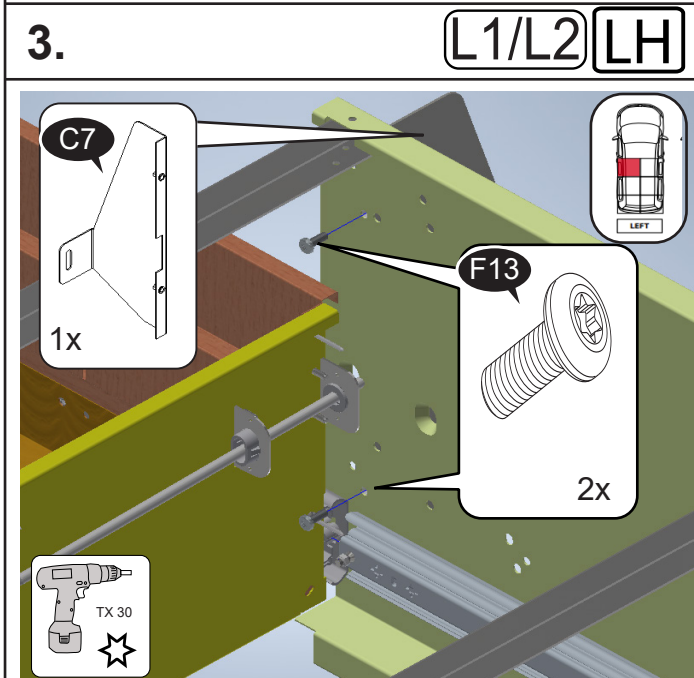
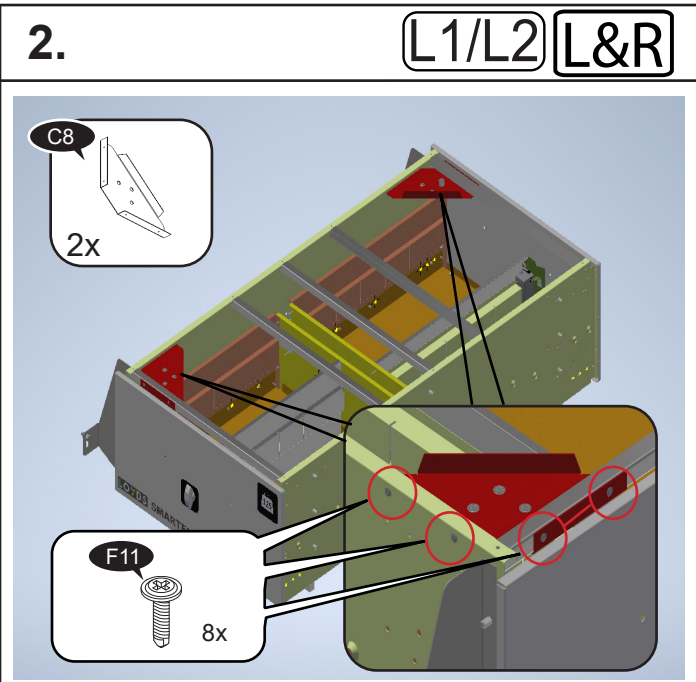
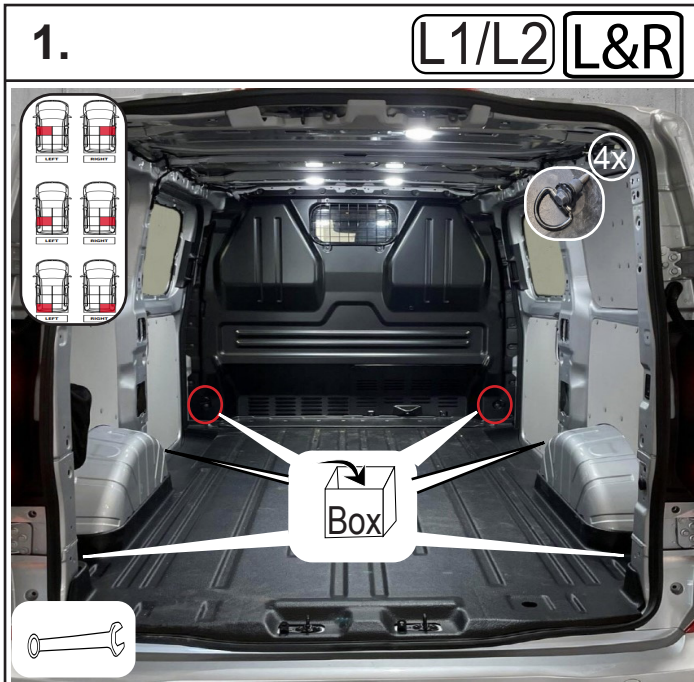
## 15010236 Handle Assy



Item	Quantity	Part Number	Description
H7	1	15009441	Handle Tube 25x15x286
H8	2	15009442	Spacer Ø8,3x18x30 Nylon Black
H9	2	15009443	Spacer Ø8,1x13x6mm Galv
H10	2	15009444	Screw M8x50 Cylinderh Hex
H11	2	8 NMU	Mutter M8 Nyloc DIN985
H12	2	8,4x17x2	M8 Washer, DIN 125
H13	2	15009438	End sleeve Black

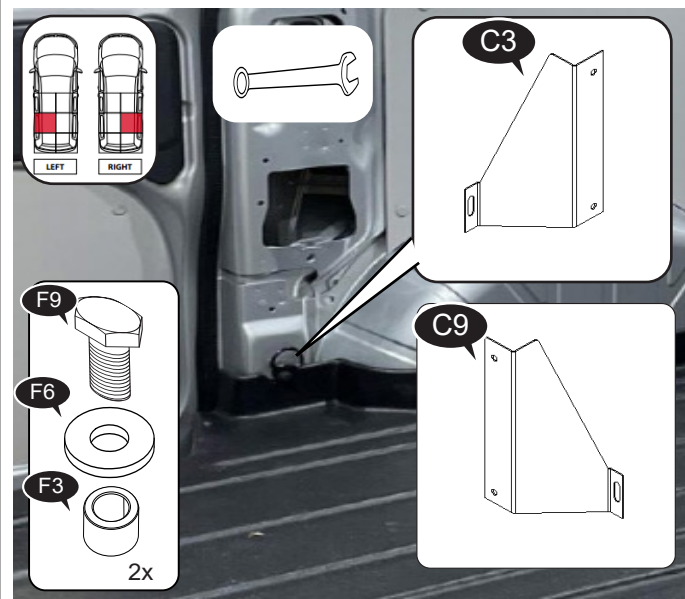
## Fitting kit

<p><b>F1</b></p>  <p>15005497 Latchcup Black Ø90 Ø12x15 1000Kp</p>	<p><b>F2</b></p>  <p>13X20X6,4 Spacer, U-709</p>	<p><b>F3</b></p>  <p>15001584 Distance Sleeve D20 d13 h15</p>
<p><b>F4</b></p>  <p>36.721004 Rubber Profile Sindby (L: 1200 mm)</p>	<p><b>F5</b></p>  <p>15016947 4.8x25 Selfdrill CS RW25 Elz</p>	<p><b>F6</b></p>  <p>DIN 125 - A 10.5 Washer Washer 10,5x20x2mm</p>
<p><b>F7</b></p>  <p>15004713 M8x50 Screw 6K Black DIN933</p>	<p><b>F8</b></p>  <p>4,2x16 FLS Platescrew selftapping BLACK</p>	<p><b>F9</b></p>  <p>10X40 6K Bolt, M10x40 Din933 6K ,Zn</p>
<p><b>F10</b></p>  <p>15005884 Washer Latchcup for Ø8</p>	<p><b>F11</b></p>  <p>4,2x16 FL Platescrew selftapping BLANK Elz</p>	<p><b>F12</b></p>  <p>M6x20 Ø20 Rattskruer</p>
<p><b>F13</b></p>  <p>15003551 M6x16 TX30 pan (DIN 7985)</p>	<p><b>F14</b></p>  <p>Sort plastpropp</p>	<p><b>F15</b></p>  <p>15026065 M6 Threaded insert</p>
<p><b>F16</b></p>  <p>15009571 Screw 4,2x13 Selfdrill Panh Torx socket</p>	<p><b>F17</b></p>	<p><b>F18</b></p>
<p><b>F19</b></p>	<p><b>F20</b></p>	<p><b>F21</b></p>



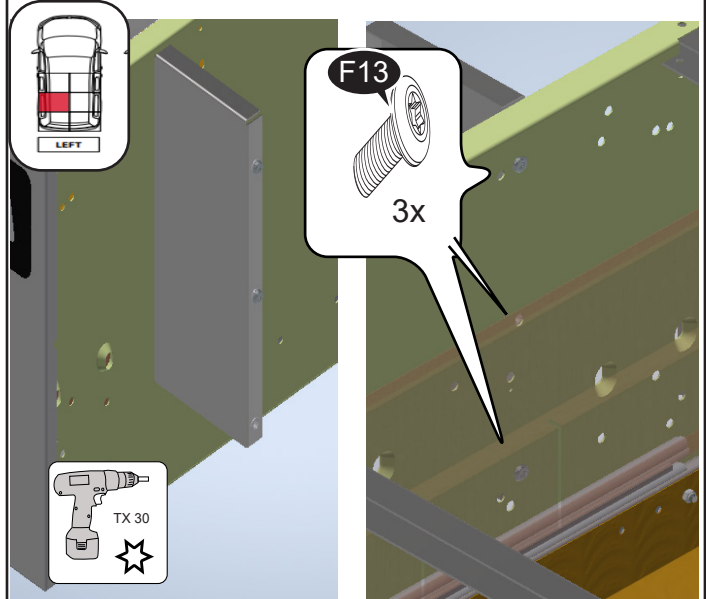
7.

L1/L2 L&R



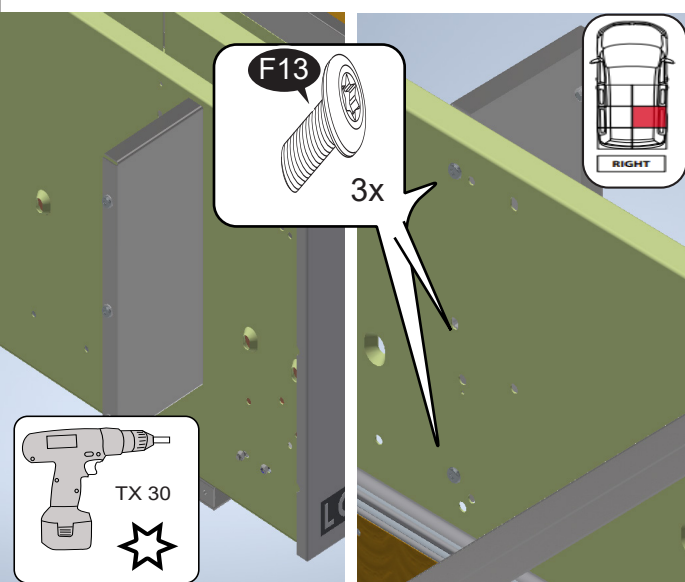
8.

L1 LH



9.

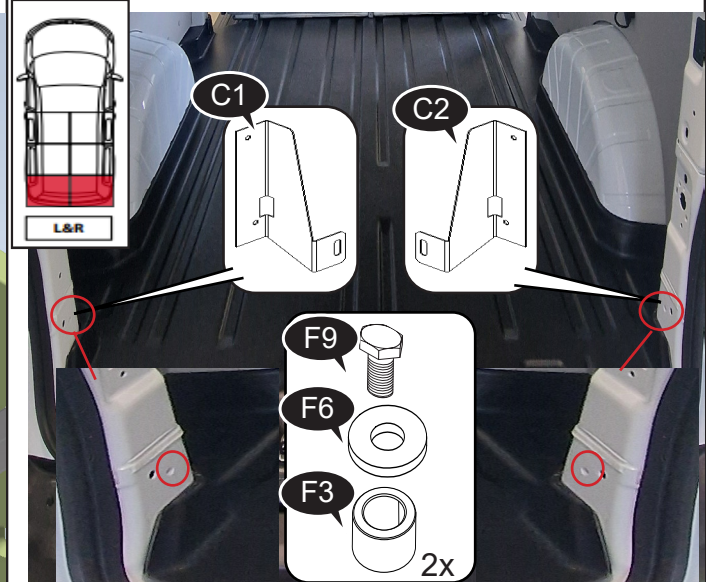
L1 RH



10.

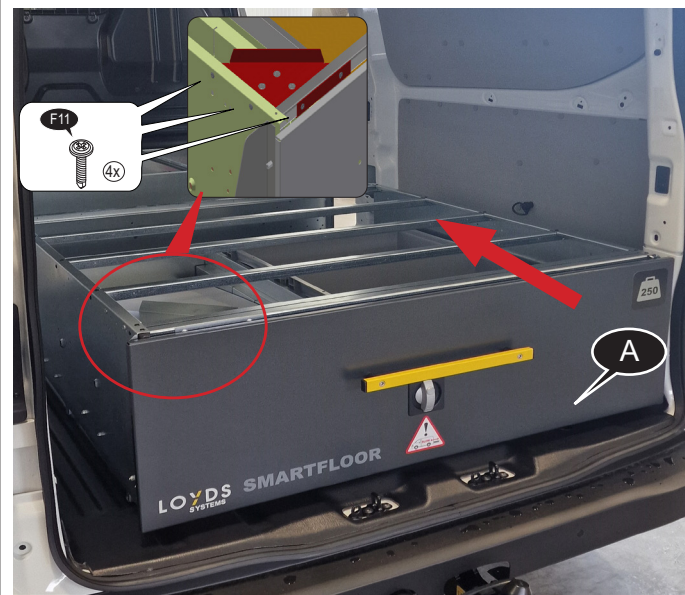
Look at page 19

L1 L&R



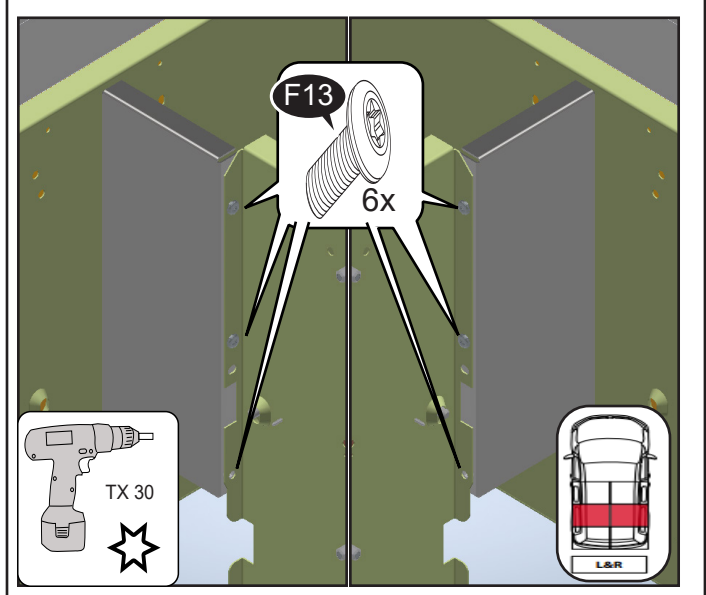
11.

L1 L&R



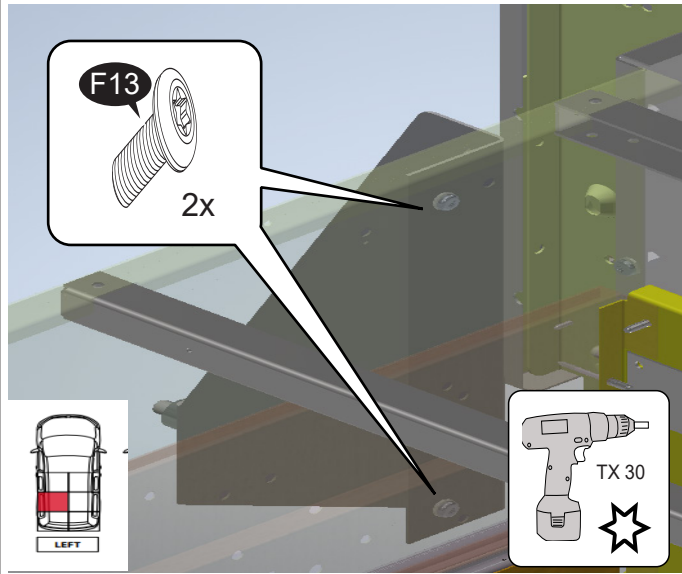
12.

L1 L&R



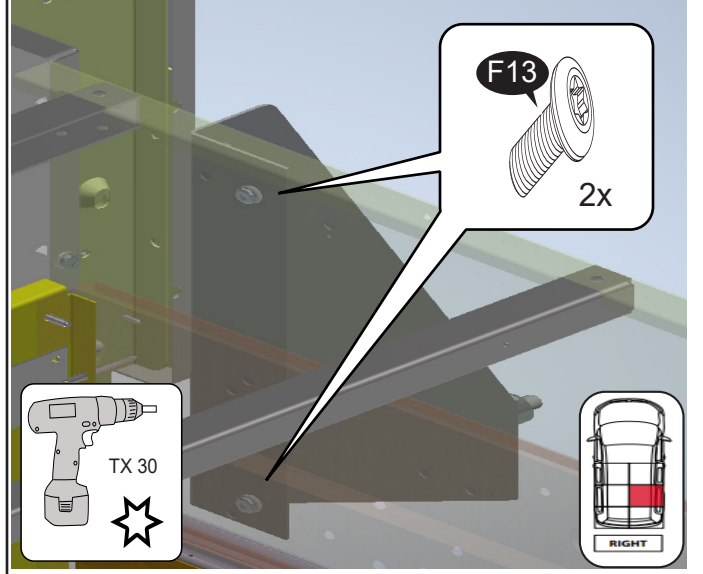
13.

L1 RH



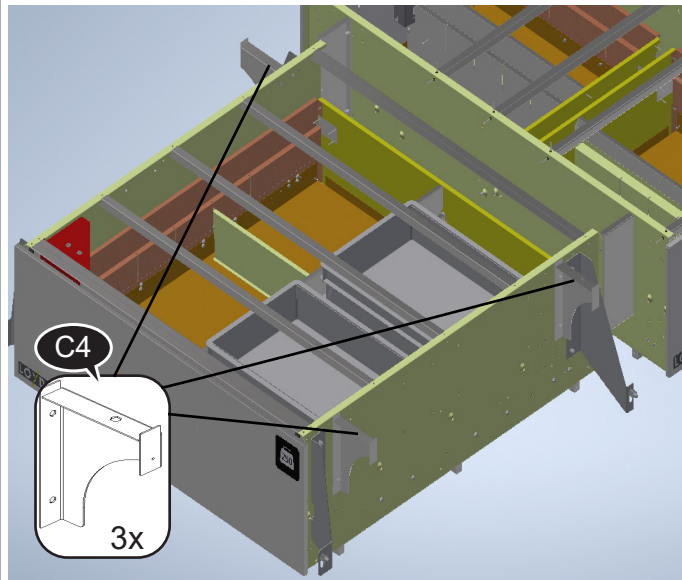
14.

L1 LH



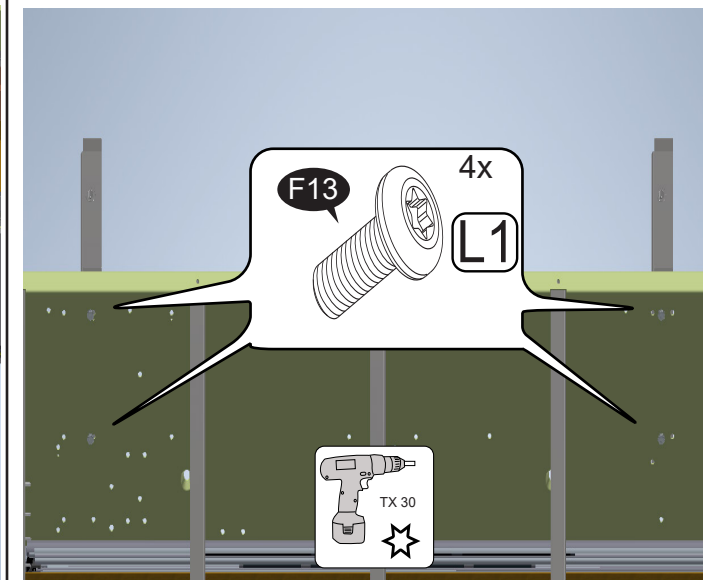
15.

L1



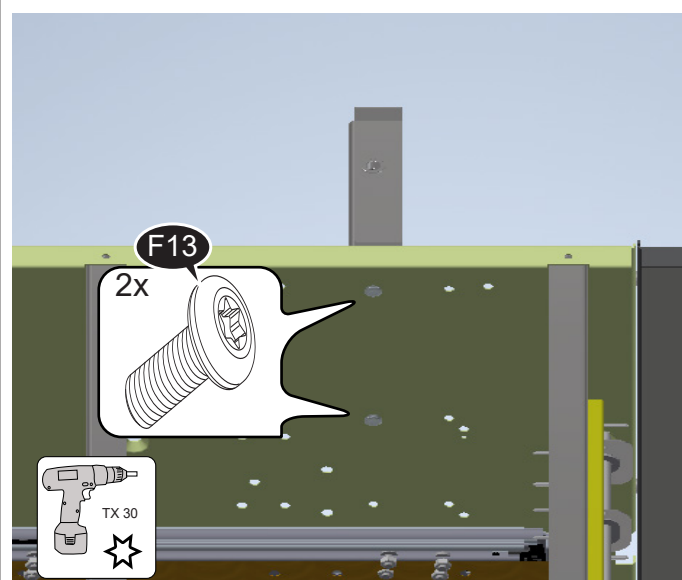
16.

L1 LH



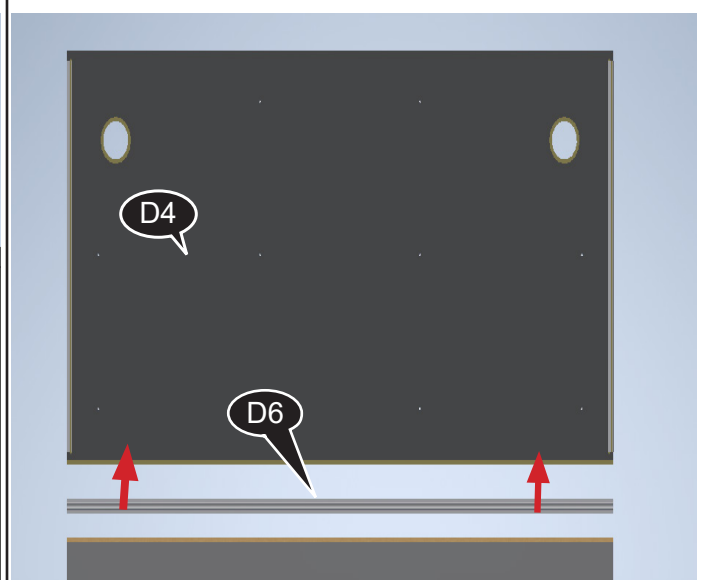
17.

L1 RH



18.

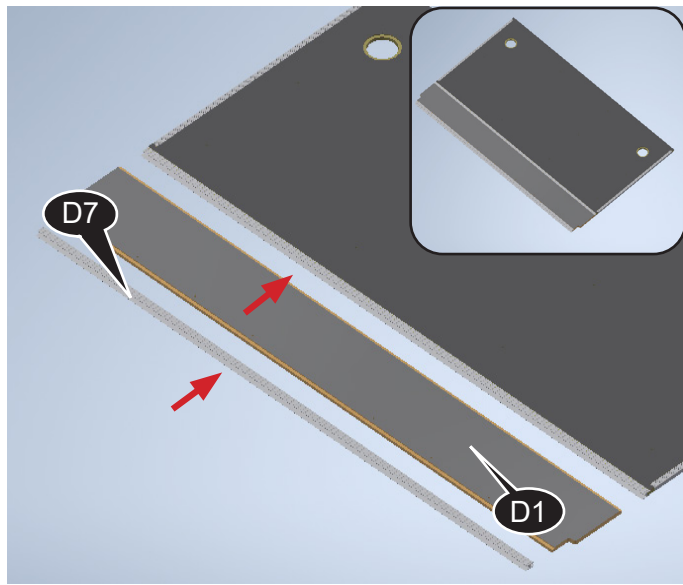
L1





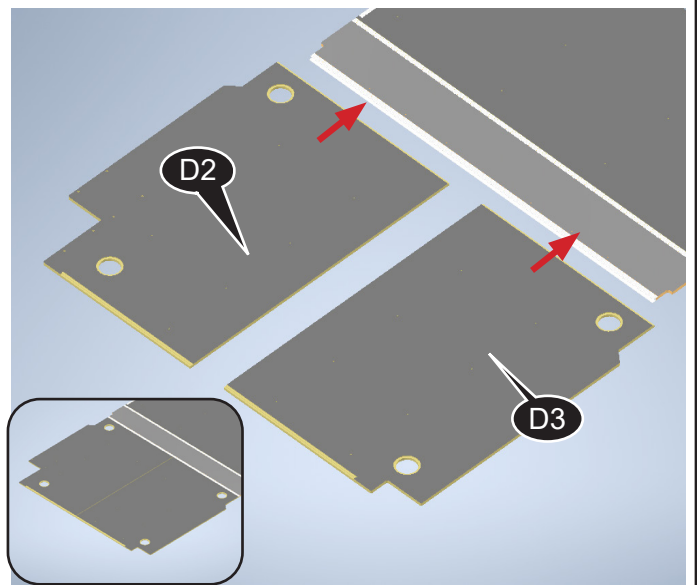
19.

L1



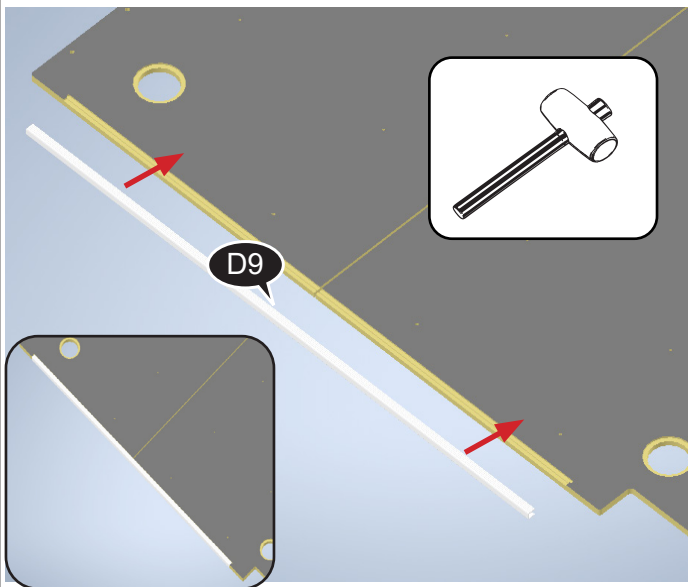
20.

L1



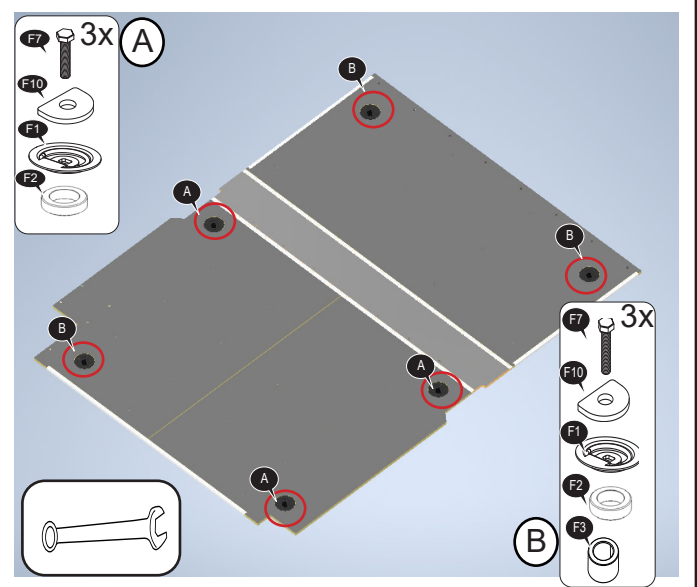
21.

L1



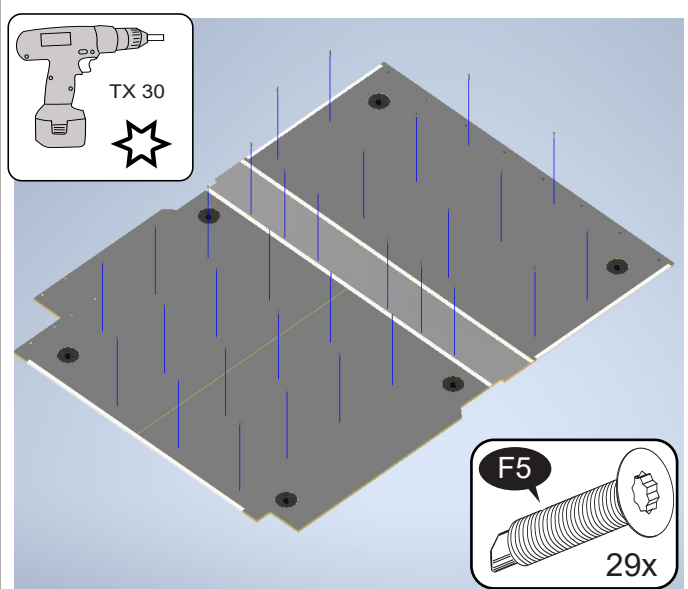
22.

L1



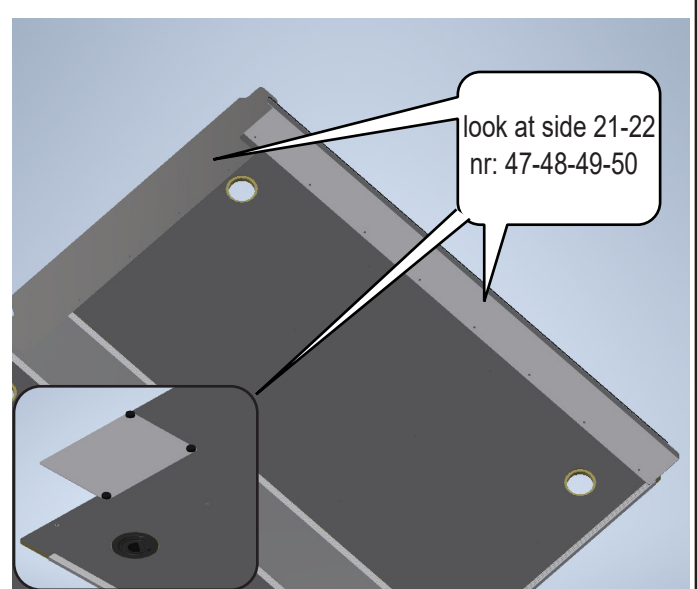
23.

L1



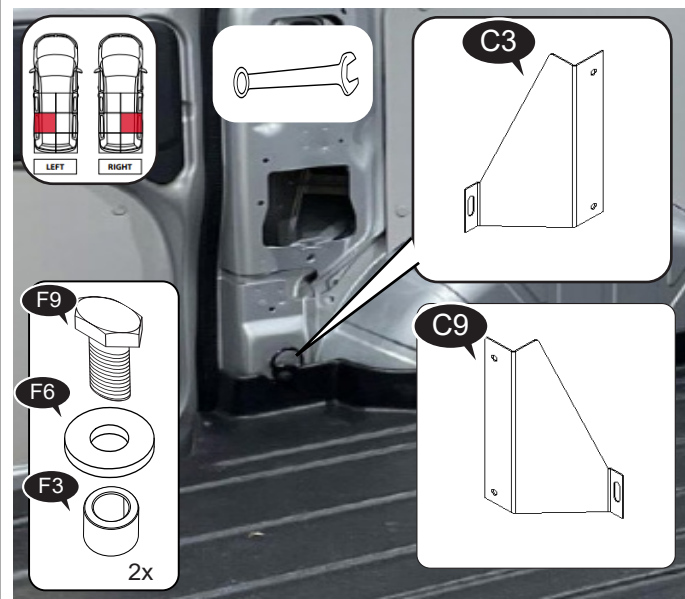
24.

L1



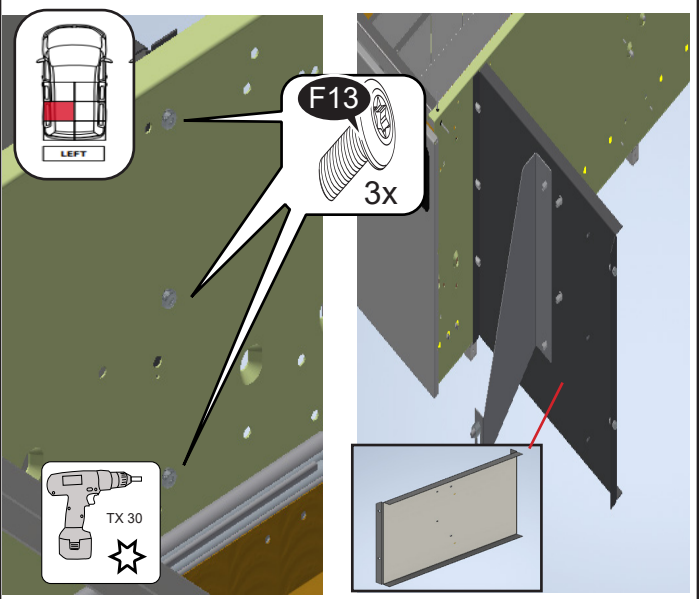
25.

L1/L2 L&R



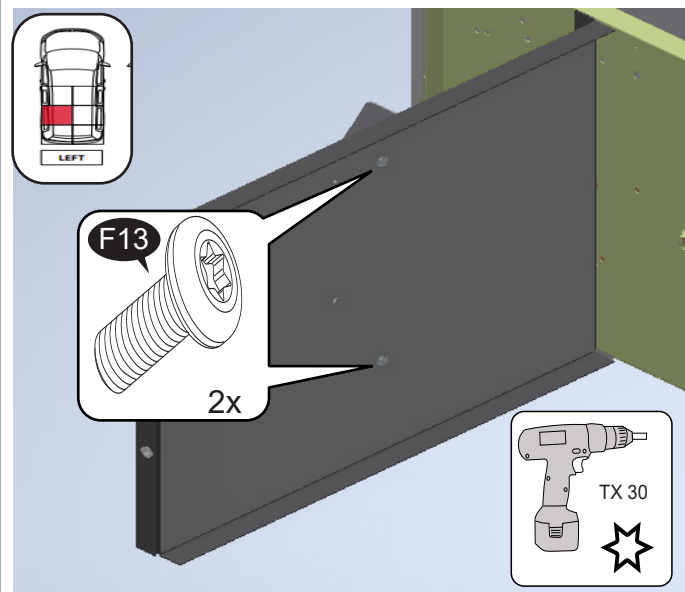
26.

L2 LH



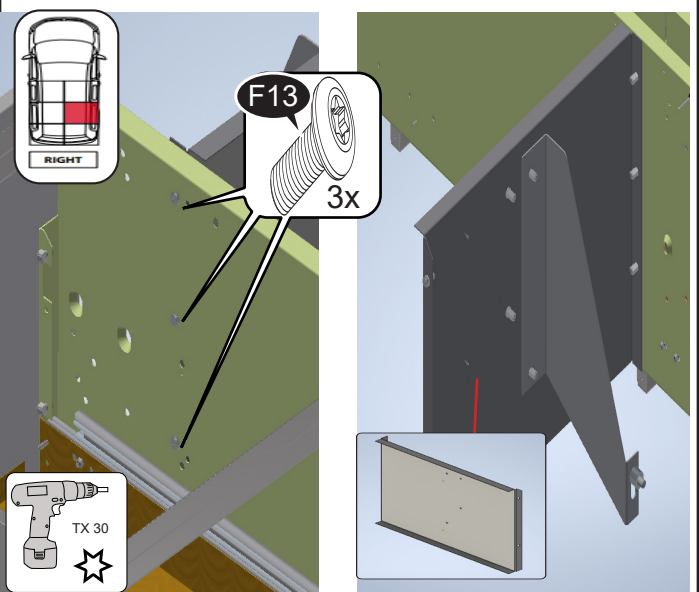
27.

L2 LH



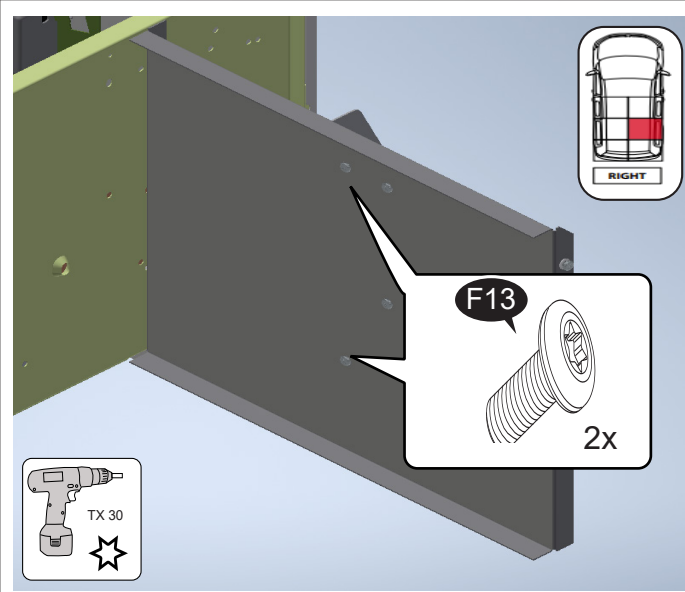
28.

L2 RH



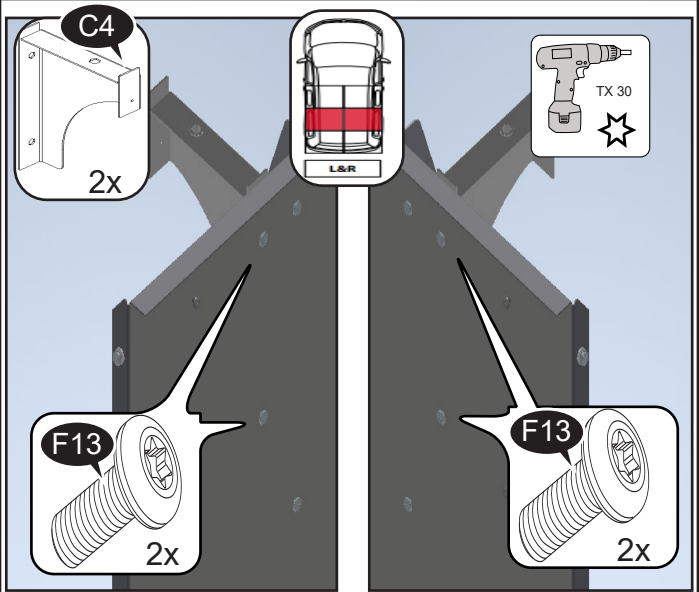
29.

L2 RH



30.

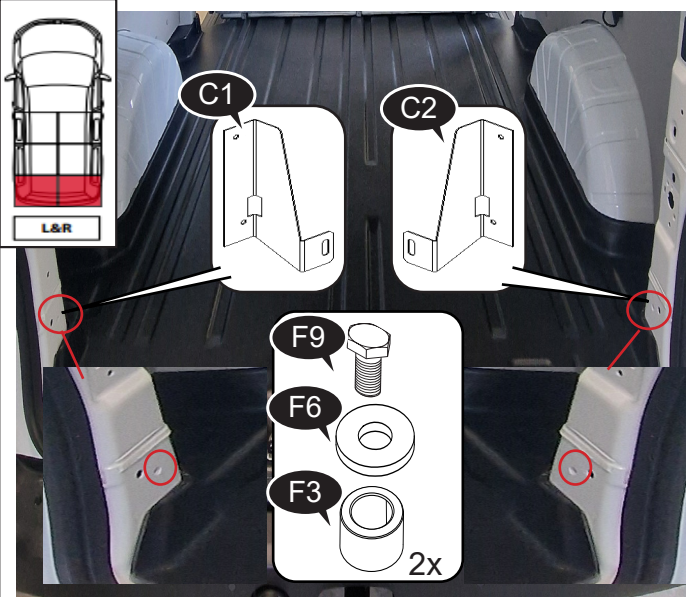
L2 L&R





32.

L1/L2



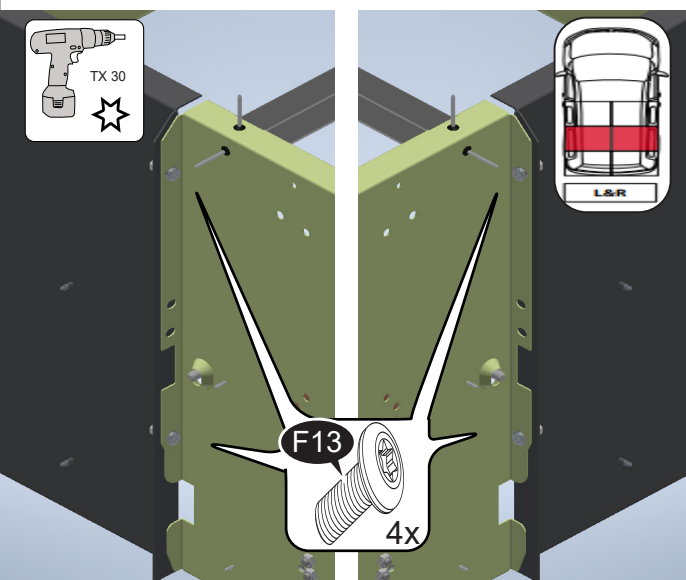
33.

L1/L2



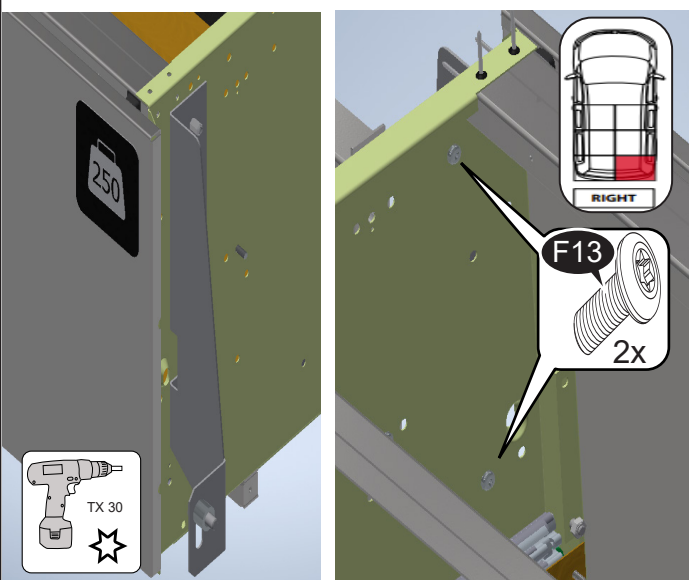
35.

L2 L&R



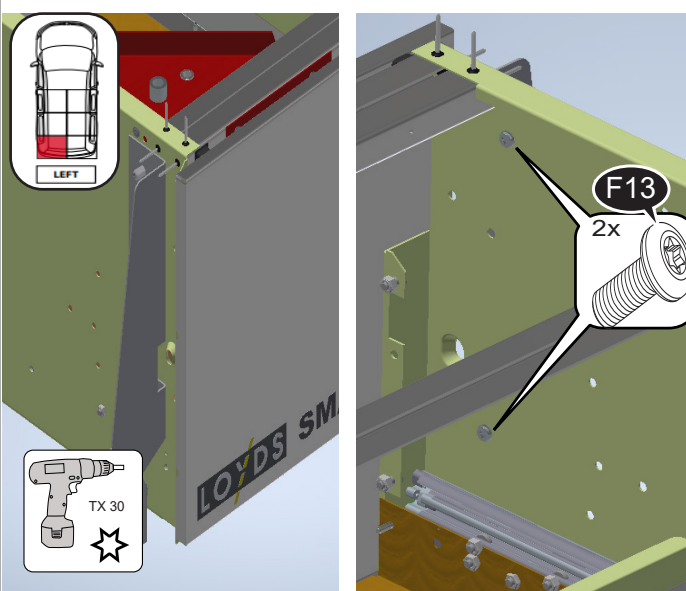
36.

L2 RH



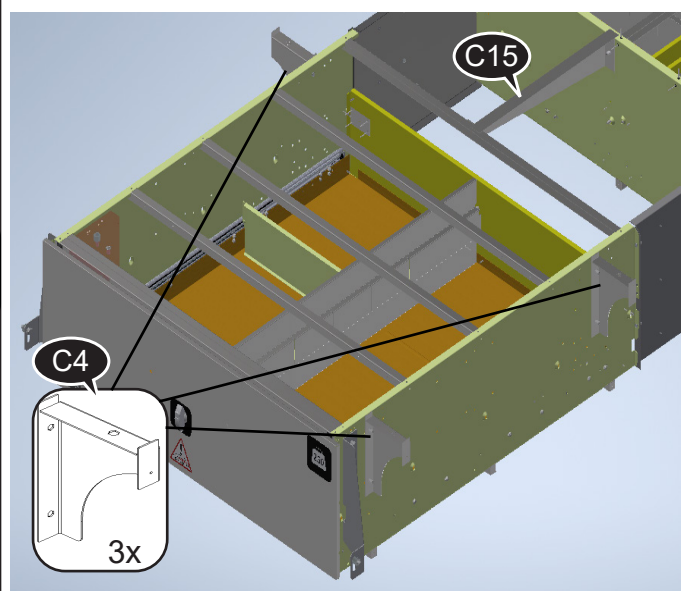
37.

L2 LH



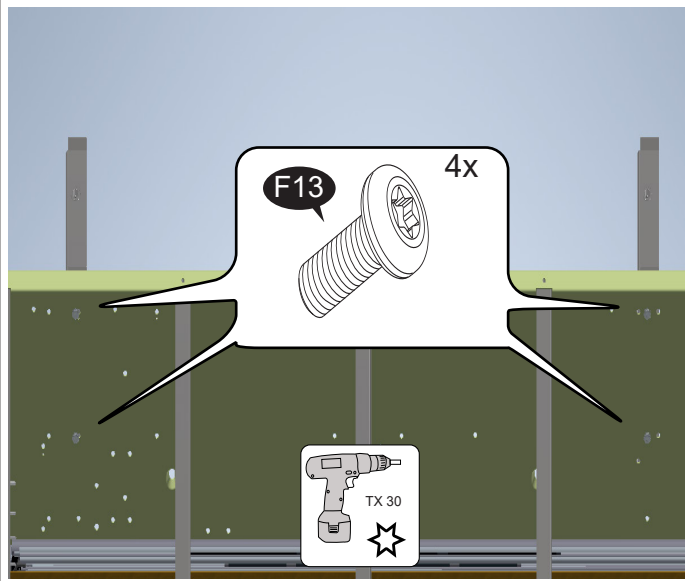
34.

L1/L2



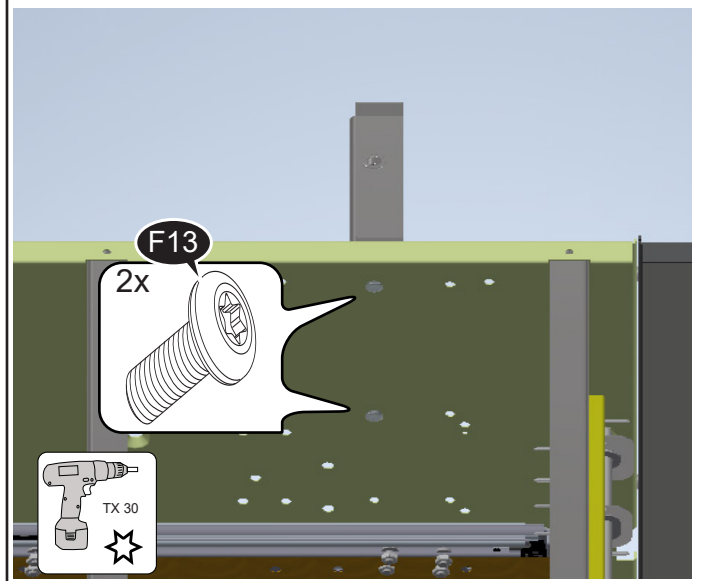
38.

L2 RH



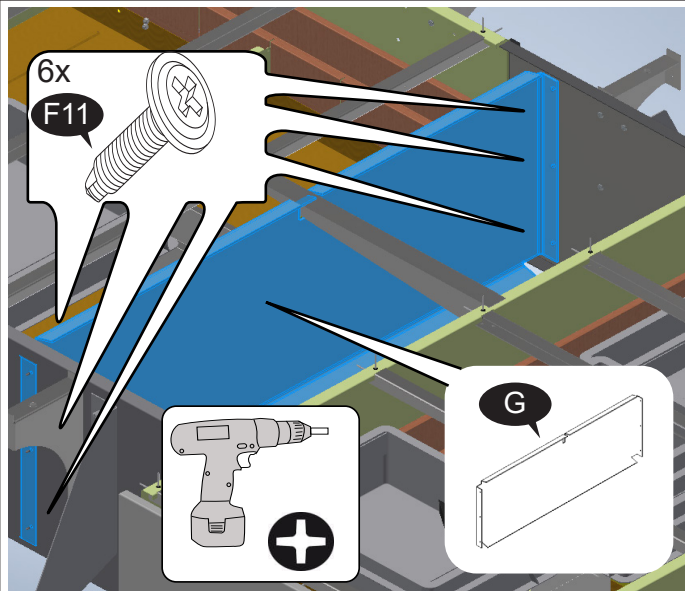
39.

L2 LH



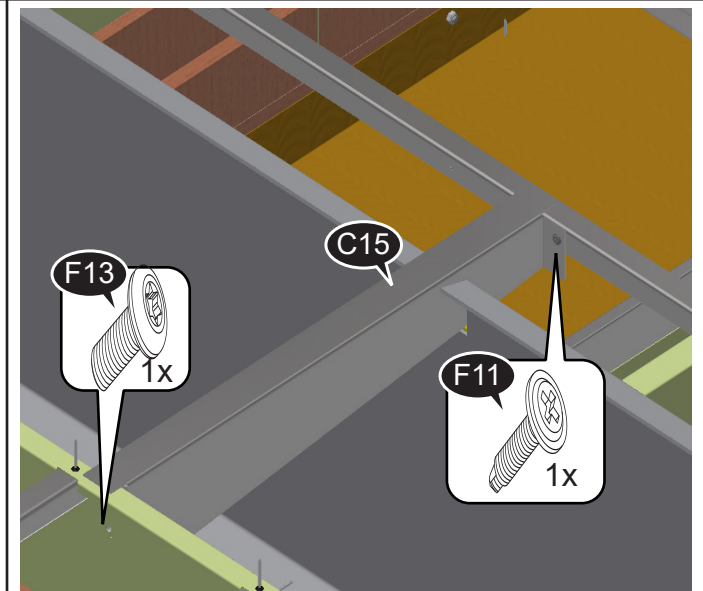
40.

L2



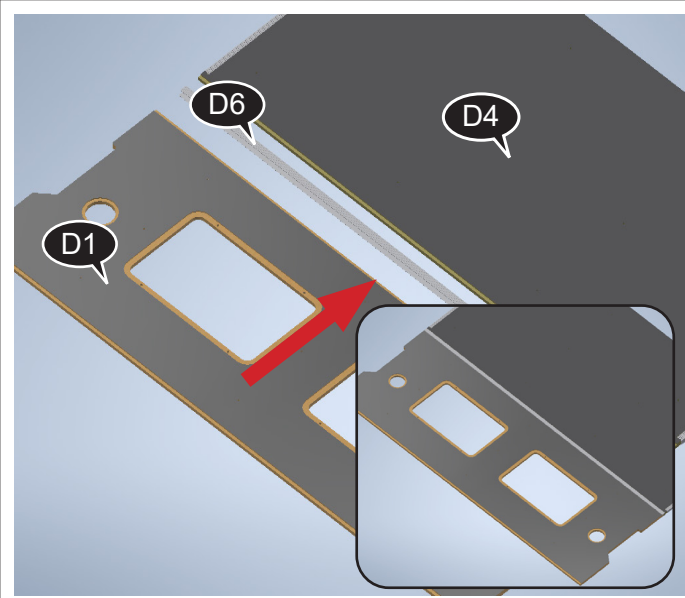
41.

L2



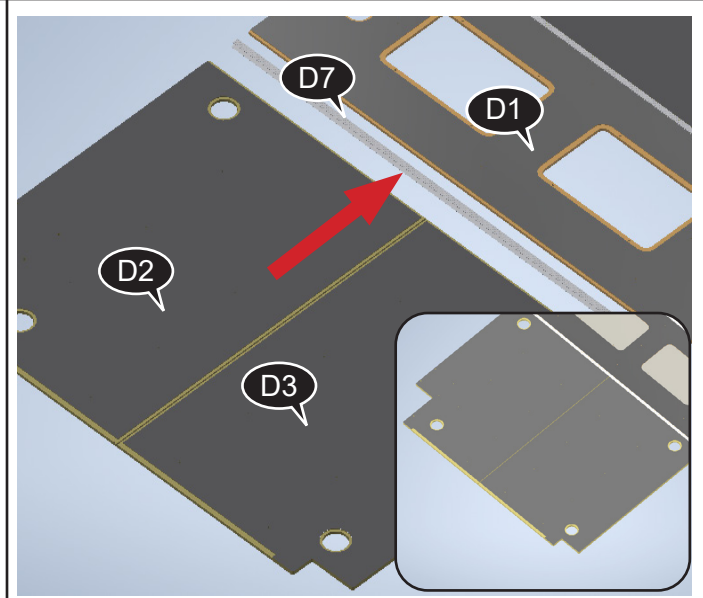
42.

L2



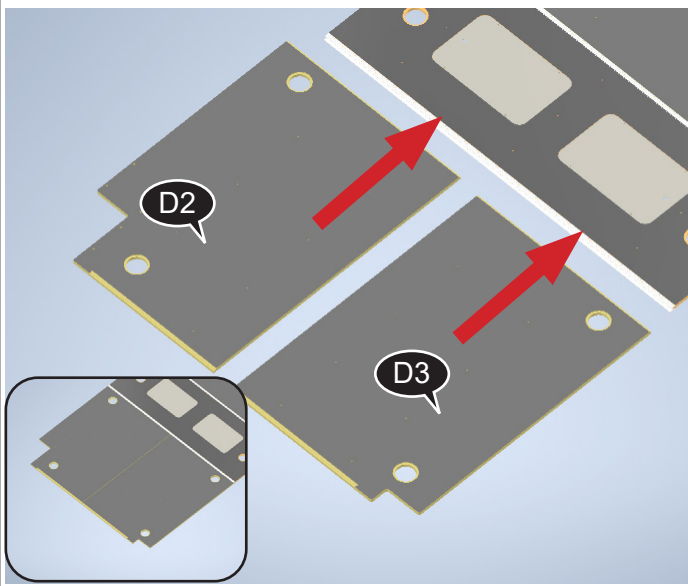
43.

L2



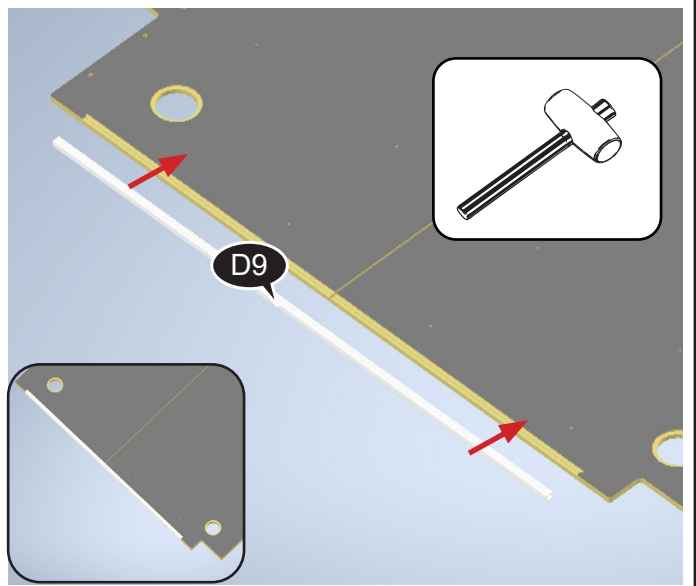
44.

L2



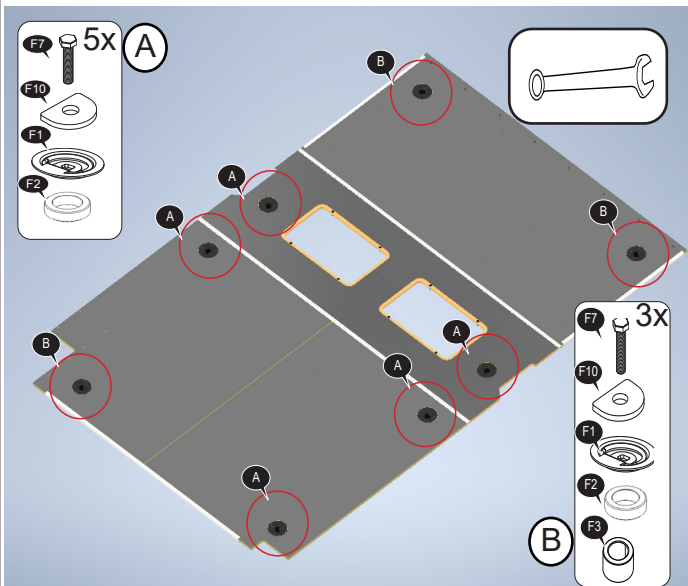
45.

L2



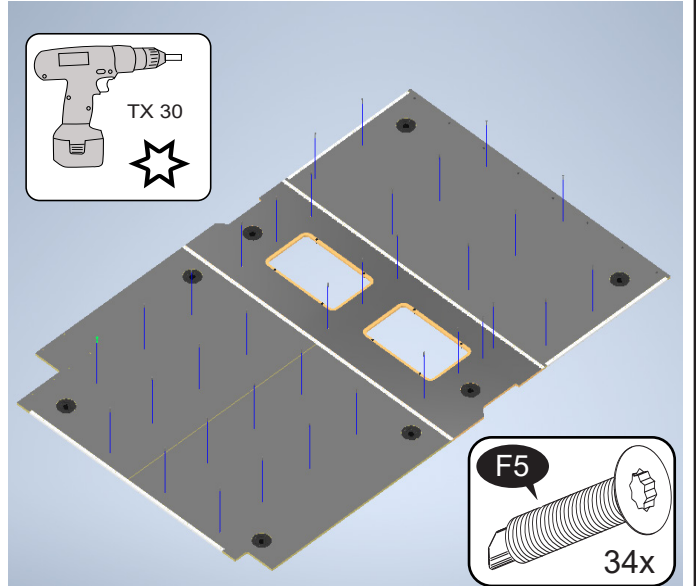
46.

L2



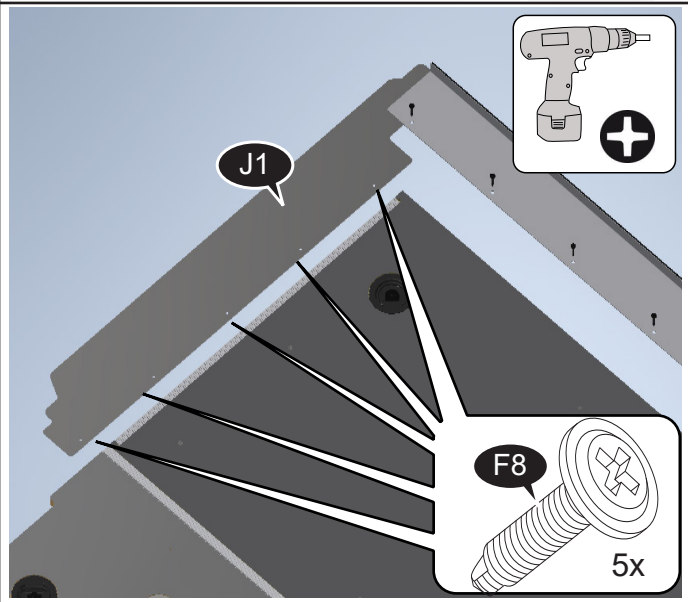
47.

L2



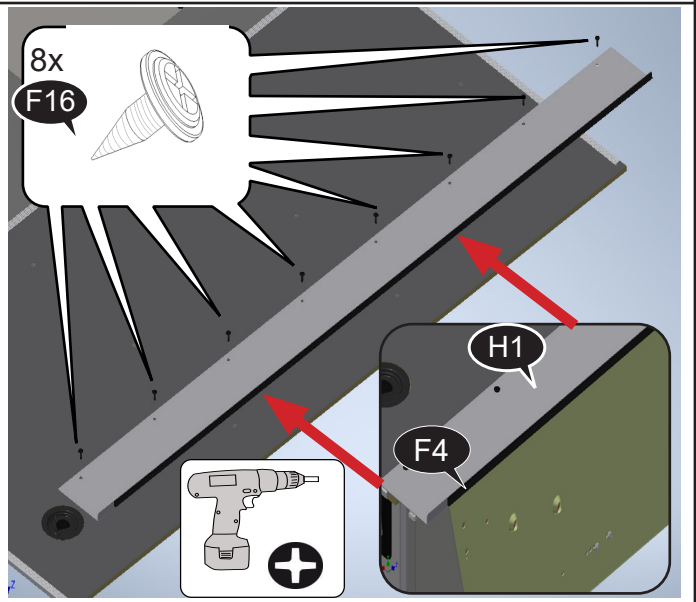
48.

L1/L2 LH 1SLD



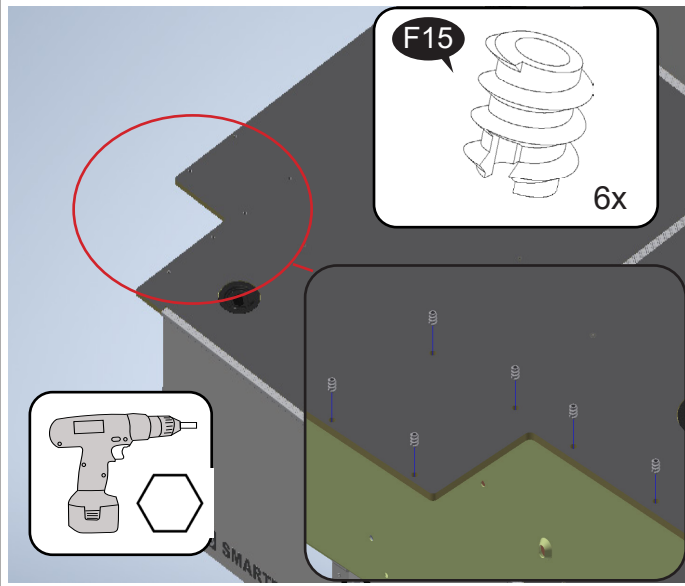
49.

L1/L2 1SLD 2SLD



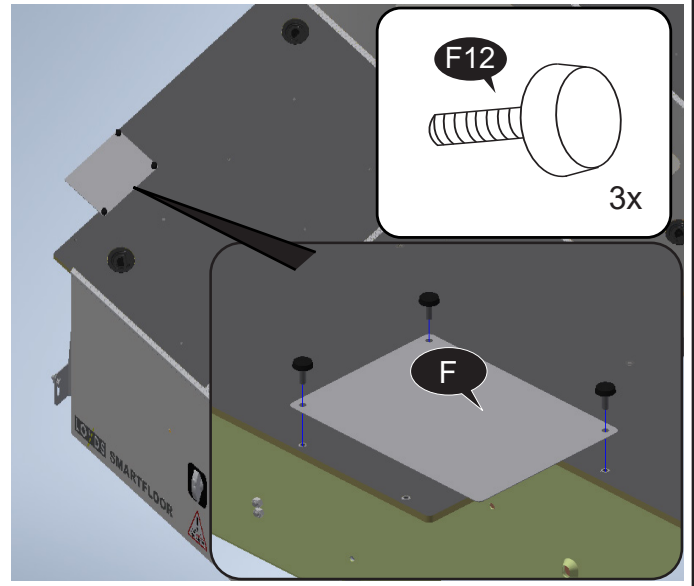
50.

L1/L2 LH



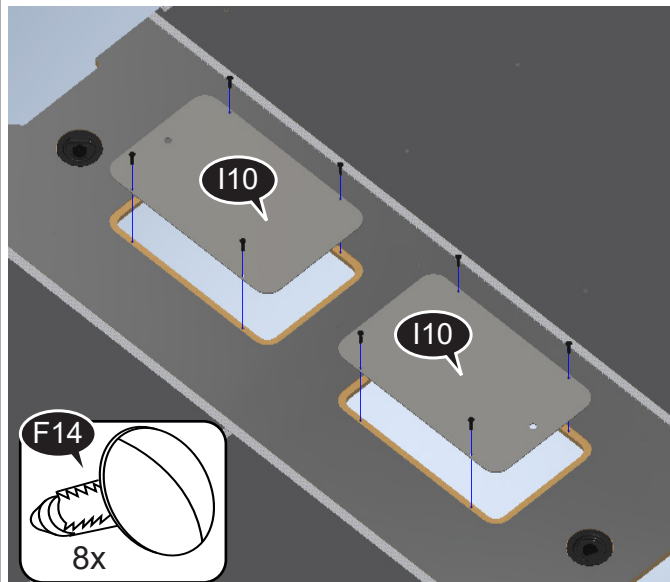
51.

L1/L2 LH



52.

L2



53.

54.