

SMARTFLOOR 2020

Ford Transit Custom L1/L2 2024 Installation Manual



Manual nr 15026244 Rev 2
Loyds Industri AS 2024-06-14

Contents

15026332 SF Ford Transit Custom L1 1SLD
15025666 SF Ford Transit Custom L1 2SLD
15026334 SF Ford Transit Custom L2 1SLD
15025696 SF Ford Transit Custom L2 2SLD

LH Left hand side

RH Right hand side

L&R Left and right side

1SLD 1 slide door

2SLD 2 slide doors

L1 Length 1

L2 Length 2

L1/L2 Both length

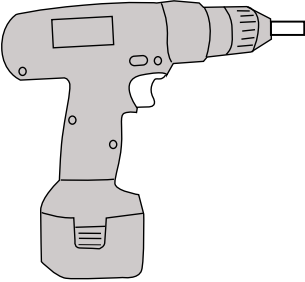

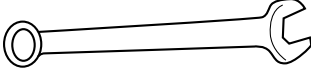
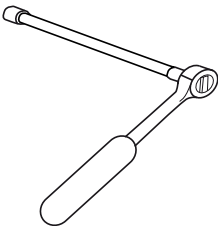



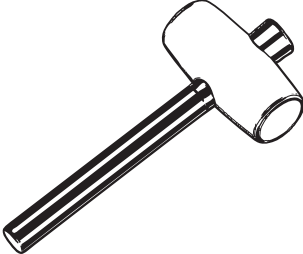
Revision Record

Rev nr	Date	Page	Picture	Update	New	Deleted steps
1	26.06.2024	19			Added a new picture	
2	28.06.2024	4,5,6,7,8,10 17,22	19,20,21,22 23,44,45,46,47		Remove H-profil L1/L2	

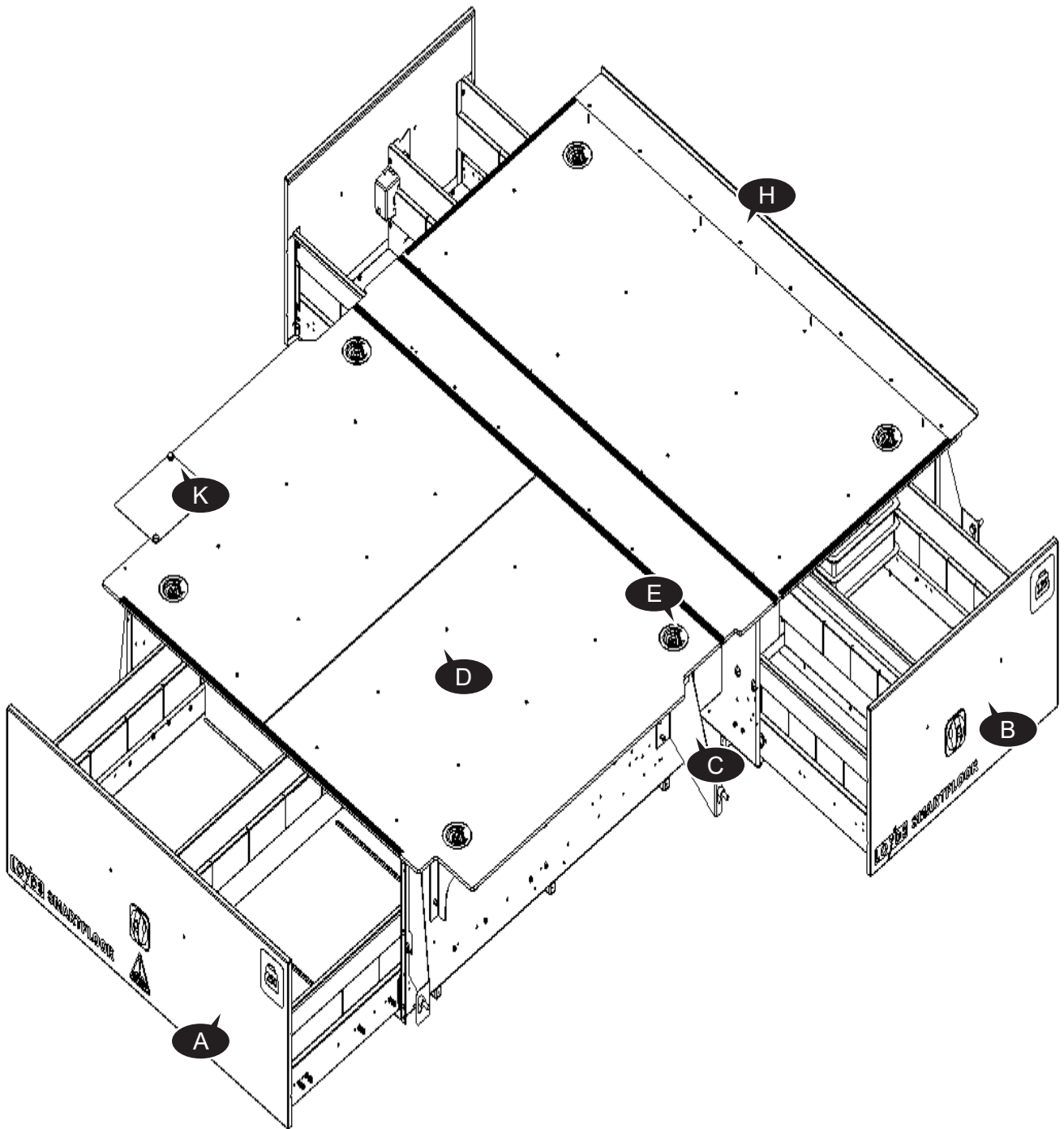
Recomended attractrion moments screws:

4,2mm Selfdrilling: 3,6 NM
 6mm: 6 NM
 8mm: 10 NM
 10mm: 42 NM

Tools

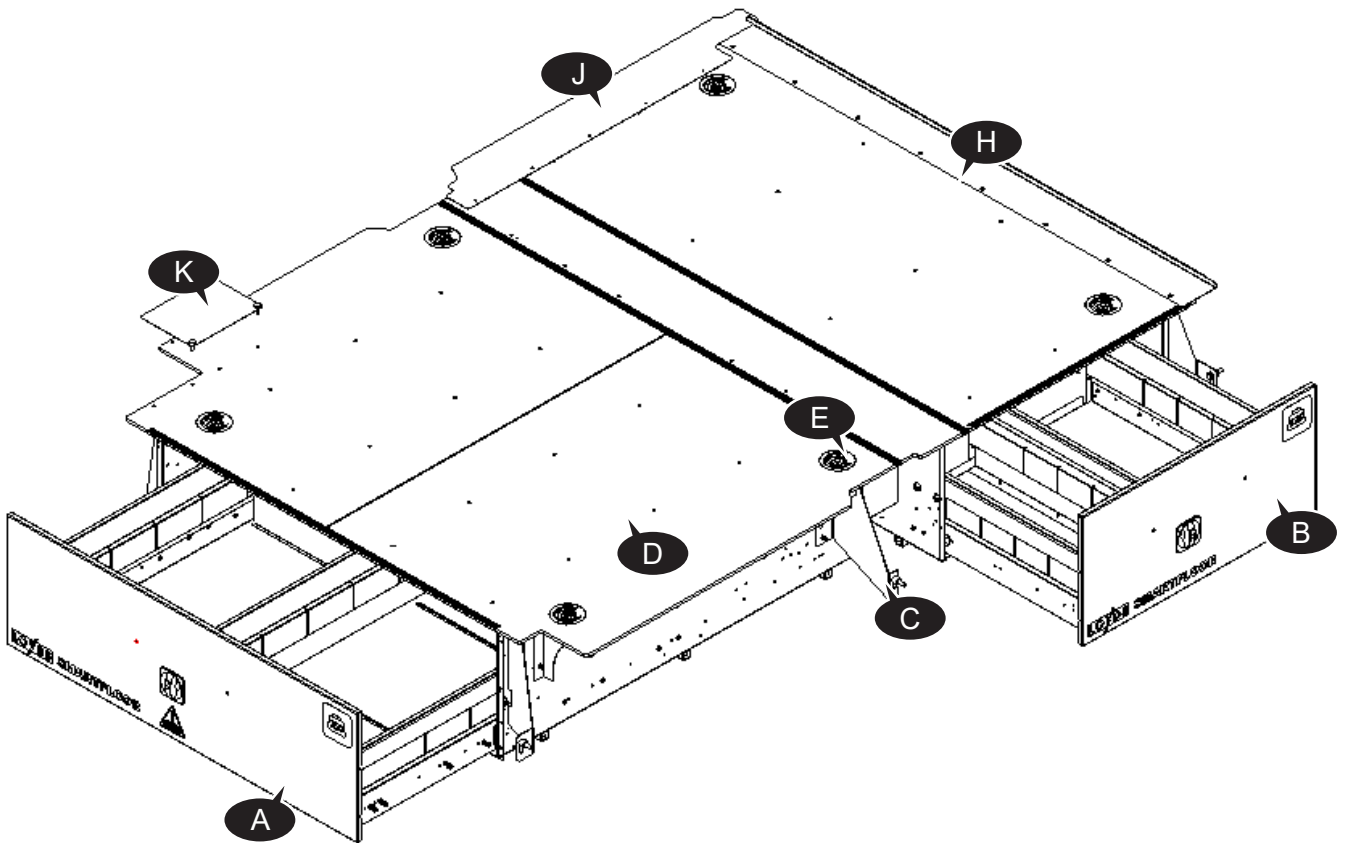
		<p>10,13 mm</p> 	<p>10,13, 16, 17 mm</p> 
<p>Bits T30</p>   			

15025666 SF Ford Transit Custom L1 2SLD



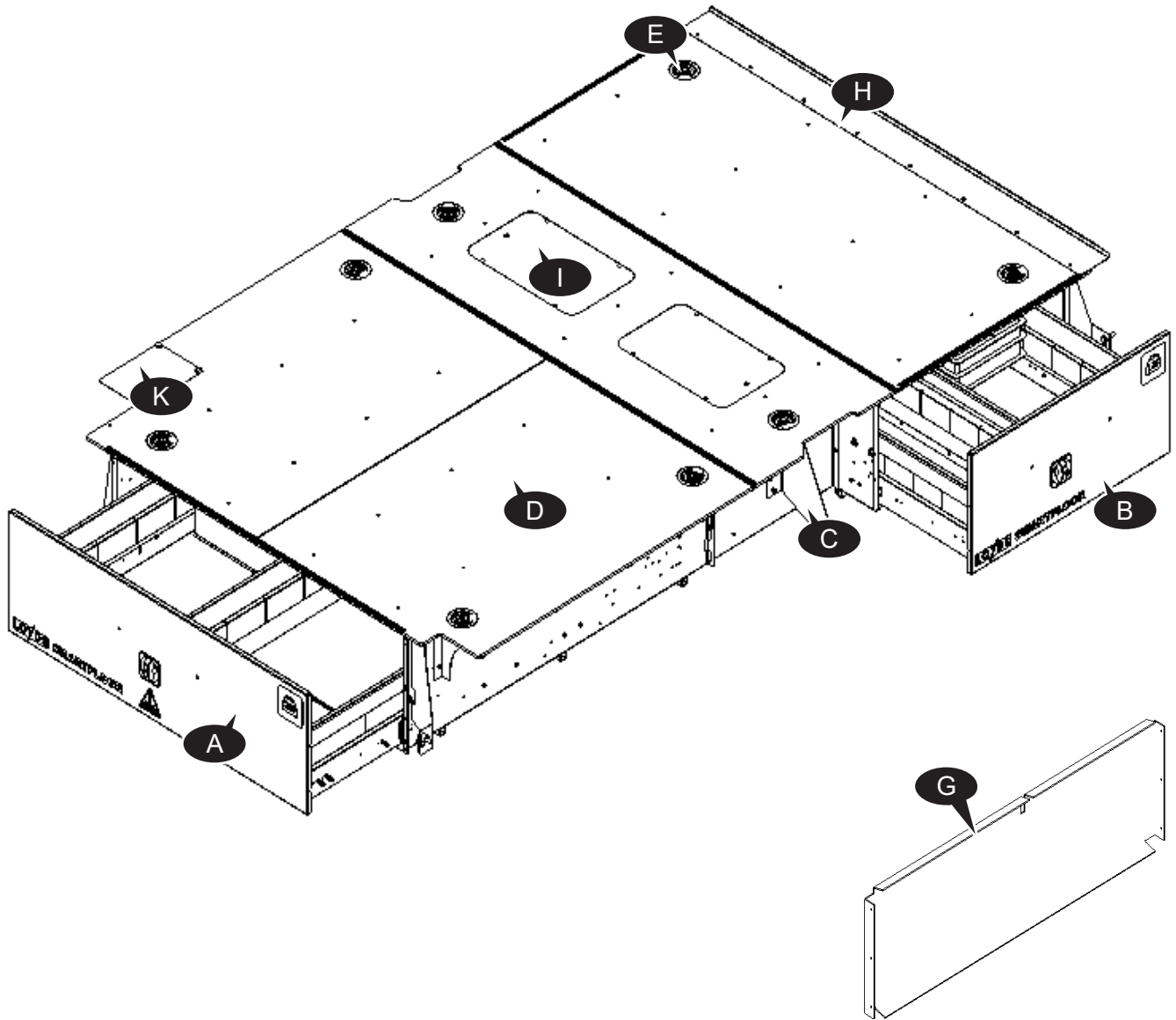
Item	Quantity	Part Number	Description
A	1	15022501	Rear Drawer RD W1140 L1200
B	1	15022500	Front Drawer FD2 W770 L1550
C	1	15026188	Steel Bracket Set Ford Transit Custom L1 2024
D	1	15026186	Floor Kit Ford Transit Custom L1 2024
E	1	15026187	Fitting Kit Floor Ford Transit Custom L1 2024
K	1	15026163	SF Ford Transit Custom Tool Box Lid
H	1	15026171	SF Ford Transit Custom L1 L2 Cover plate Front

15026332 SF Ford Transit Custom L1 1SLD



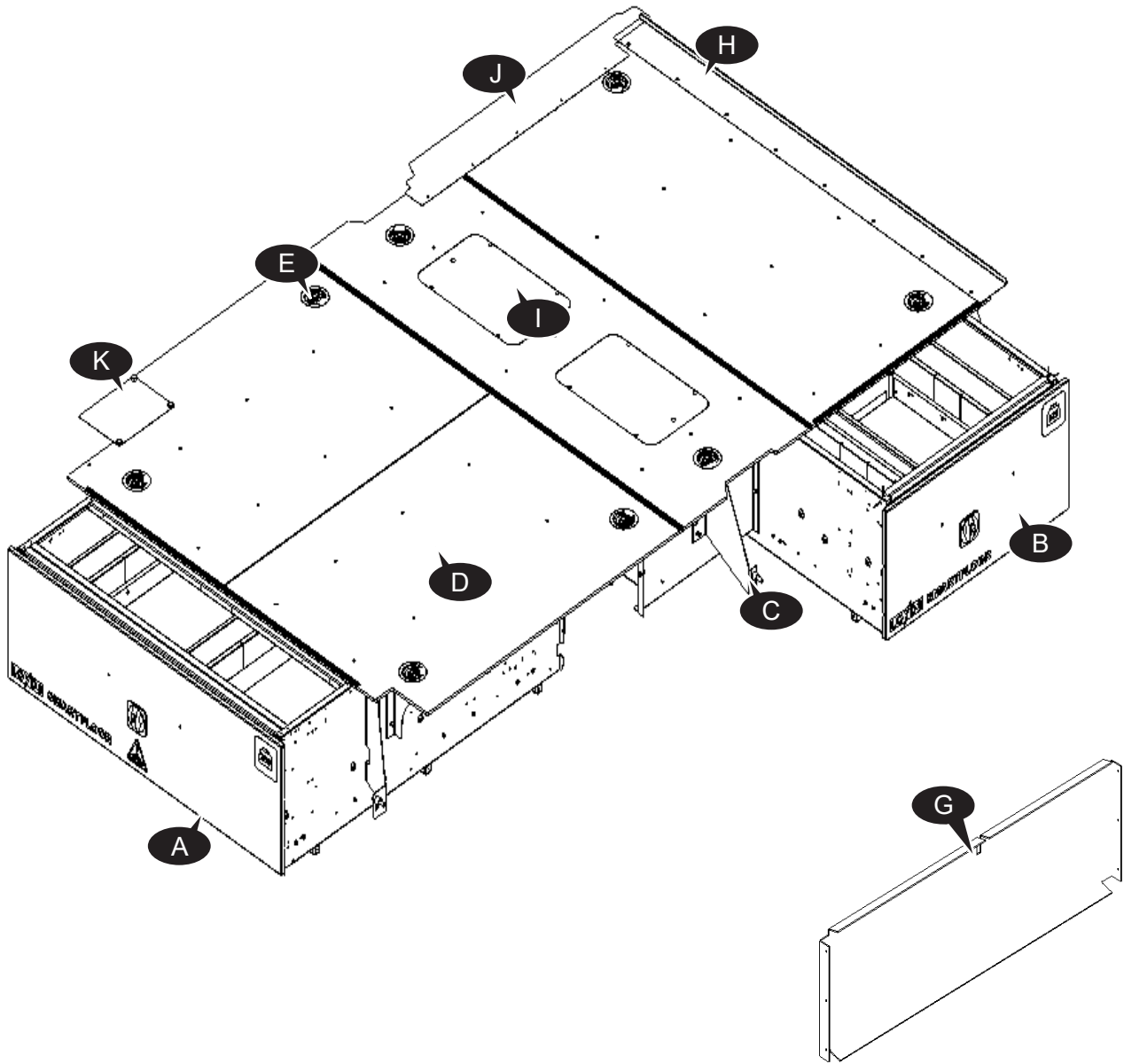
Item	Quantity	Part Number	Description
A	1	15022501	Rear Drawer RD W1140 L1200
B	1	15022500	Front Drawer FD2 W770 L1550
C	1	15026188	Steel Bracket Set Ford Transit Custom L1 2024
D	1	15026186	Floor Kit Ford Transit Custom L1 2024
E	1	15026187	Fitting Kit Floor Ford Transit Custom L1 2024
K	1	15026163	SF Ford Transit Custom Tool Box Lid
H	1	15026171	SF Ford Transit Custom L1 L2 Cover plate Front
J	1	15026333	SF Ford Transit Custom 1SLD Cover plate

15025696 SF Ford Transit Custom L2 2SLD



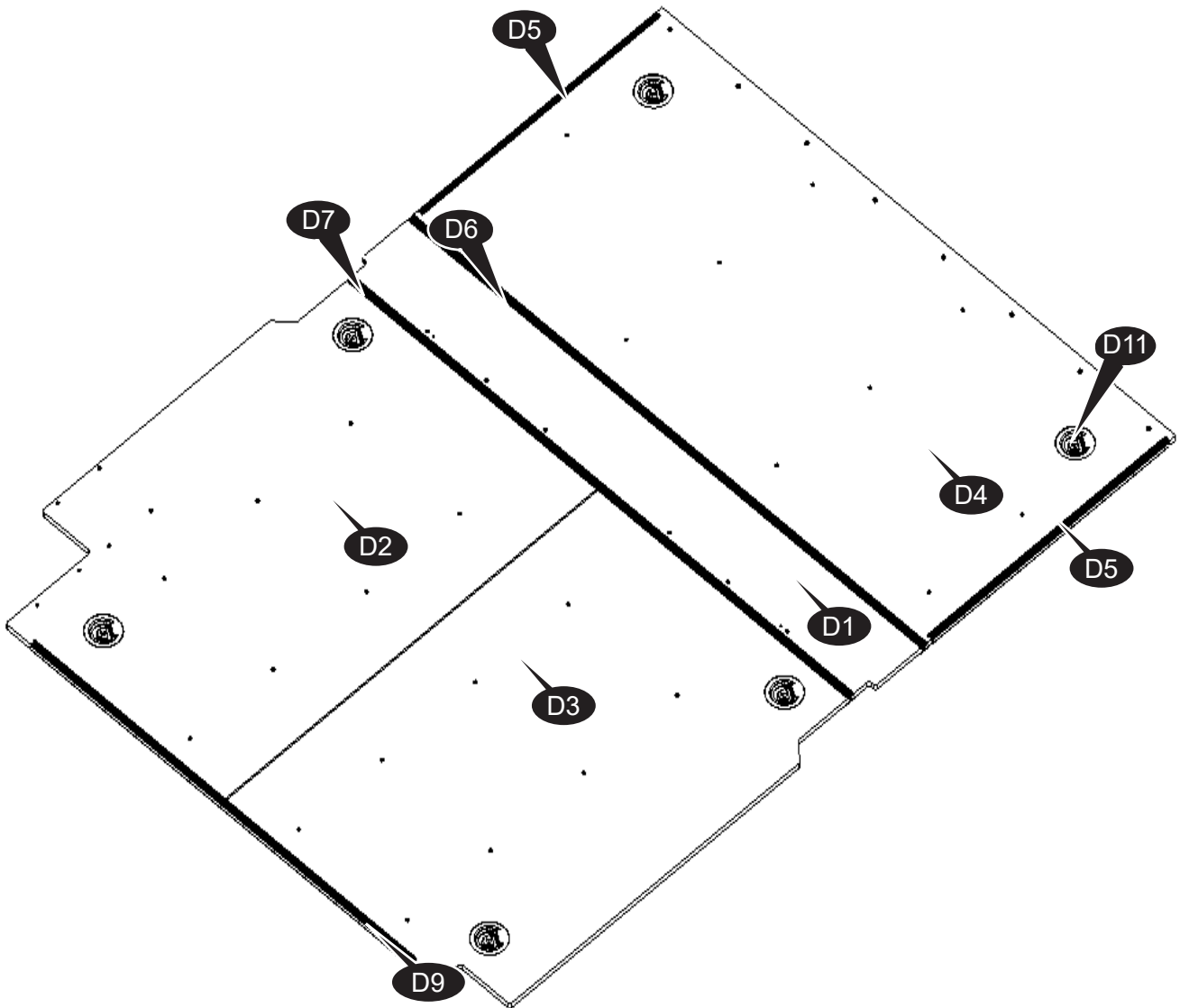
Item	Quantity	Part Number	Description
A	1	15022501	Rear Drawer RD W1140 L1200
B	1	15022500	Front Drawer FD2 W770 L1550
C	1	15026176	Steel Bracket Set Ford Transit Custom L2 2024
D	1	15026175	Floor Kit Ford Transit Custom L2 2024
E	1	15026184	Fitting Kit Floor Ford Transit Custom L2 2024
K	1	15026163	SF Ford Transit Custom Tool Box Lid
G	1	15026177	PP-Wall Middle Ford Transit Custom L2
H	1	15026171	SF Ford Transit Custom L1 L2 Cover plate Front
I	1	15022462	Hatch Floor 280x450 SF 2020

15026334 SF Ford Transit Custom L2 1SLD



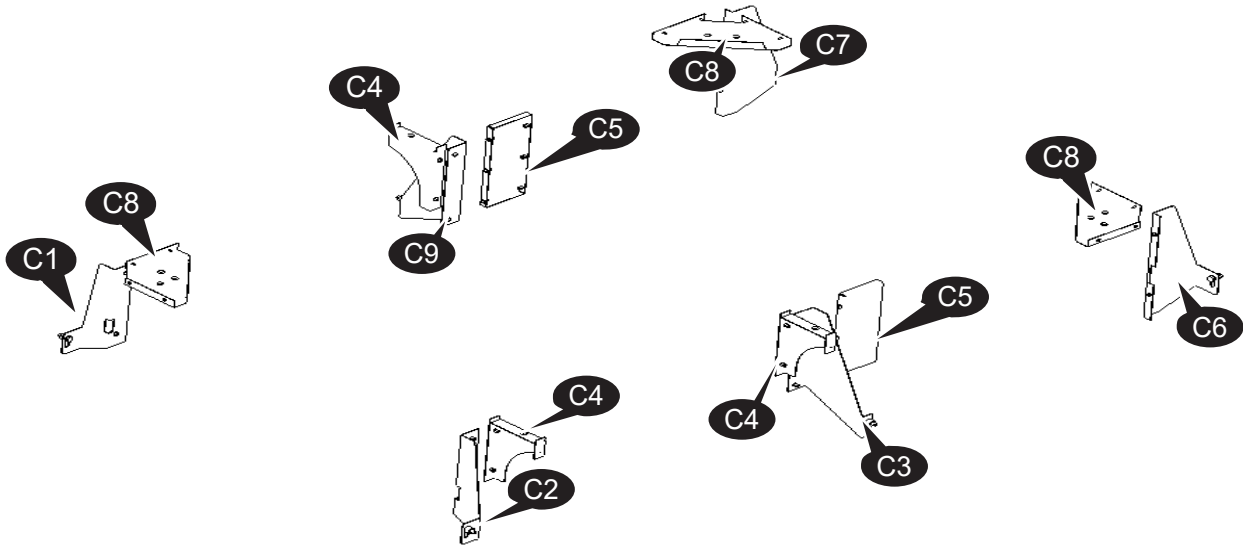
Item	Quantity	Part Number	Description
A	1	15022501	Rear Drawer RD W1140 L1200
B	1	15022500	Front Drawer FD2 W770 L1550
C	1	15026176	Steel Bracket Set Ford Transit Custom L2 2024
D	1	15026175	Floor Kit Ford Transit Custom L2 2024
E	1	15026184	Fitting Kit Floor Ford Transit Custom L2 2024
K	1	15026163	SF Ford Transit Custom Tool Box Lid
G	1	15026177	PP-Wall Middle Ford Transit Custom L2 (Same item on side 4)
H	1	15026171	SF Ford Transit Custom L1 L2 Cover plate Front
I	1	15022462	Hatch Floor 280x450 SF 2020
J	1	15026333	SF Ford Transit Custom 1SLD Cover plate

15026186 Floor Kit Ford Transit Custom L1 2024



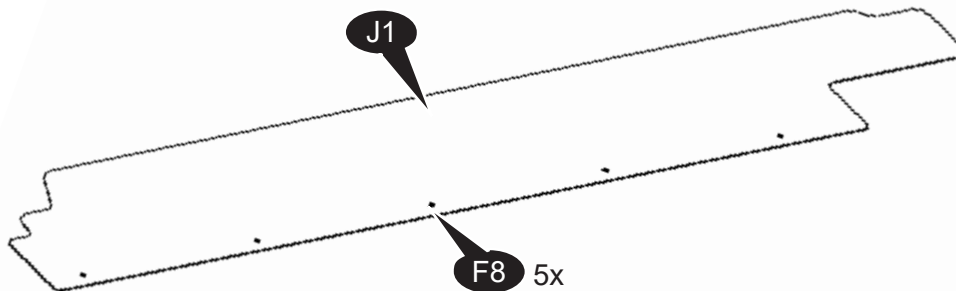
Item	Quantity	Part Number	Description
D1	1	15026161	Floor Mid Ford Transit Custom L1 2024
D2	1	15026159	Floor Rear Ford Transit Custom L1 2024 Left
D3	1	15026160	Floor Rear Ford Transit Custom L1 2024 Right
D4	1	15026185	Floor Front Ford Transit Custom L1 L2 2024
D5	2	15026173	U-profile 9mm L=764
D6	1	15026152	H-profile 9mm L=1653
D7	1	15026162	H-profile 9mm L=1613
D9	1	15022714	U-profile 9mm L=1224
D11	6	15026187	Fitting Kit Floor Kit Ford Transit Custom L1 2024

15026188 Steel Bracket Set Ford Transit Custom L1 2024



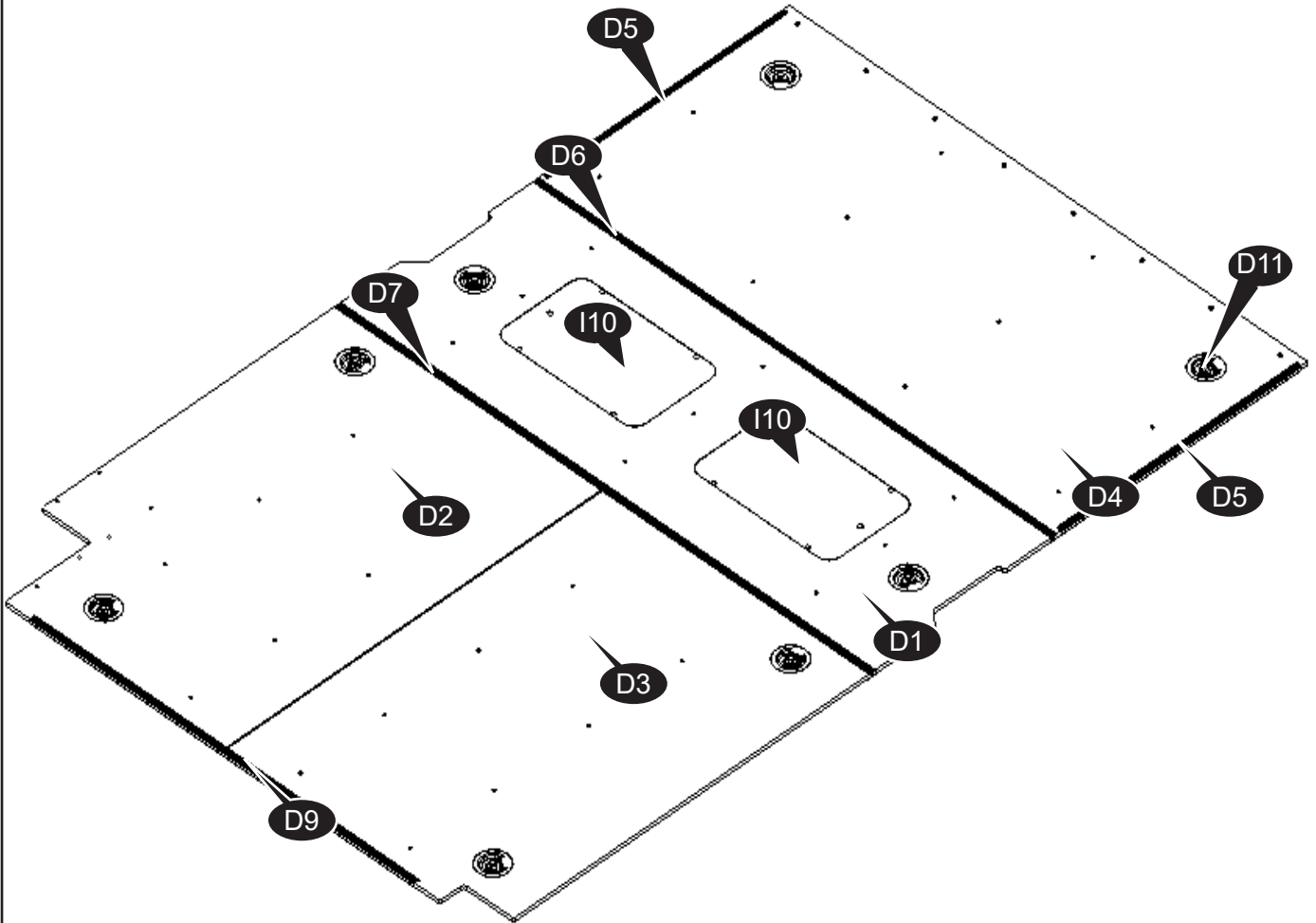
Item	Quantity	Part Number	Description
C1	1	15025679	Bracket Rear Left Transit Custom ASSY
C2	1	15025683	Bracket Rear Right Transit Custom ASSY
C3	1	15025681	Bracket Side Right Transit Custom ASSY_MIR
C4	5	15018461	Bracket Latchcup Side M8 SF 2020 ASSY
C5	2	15026179	Bracket Distance FD RD Ford Transit Custom L1 2024 Right ASSY_MIR
C6	1	15026182	Bracket Front Right Transit Custom ASSY_MIR
C7	1	15025670	Bracket Front Left Transit Custom ASSY
C8	3	15018460	Bracket Latch Inner 8mm ASSY
C9	1	15025677	Bracket Side Left Transit Custom ASSY

15026333 SF Ford Transit Custom 1SLD Cover Plate



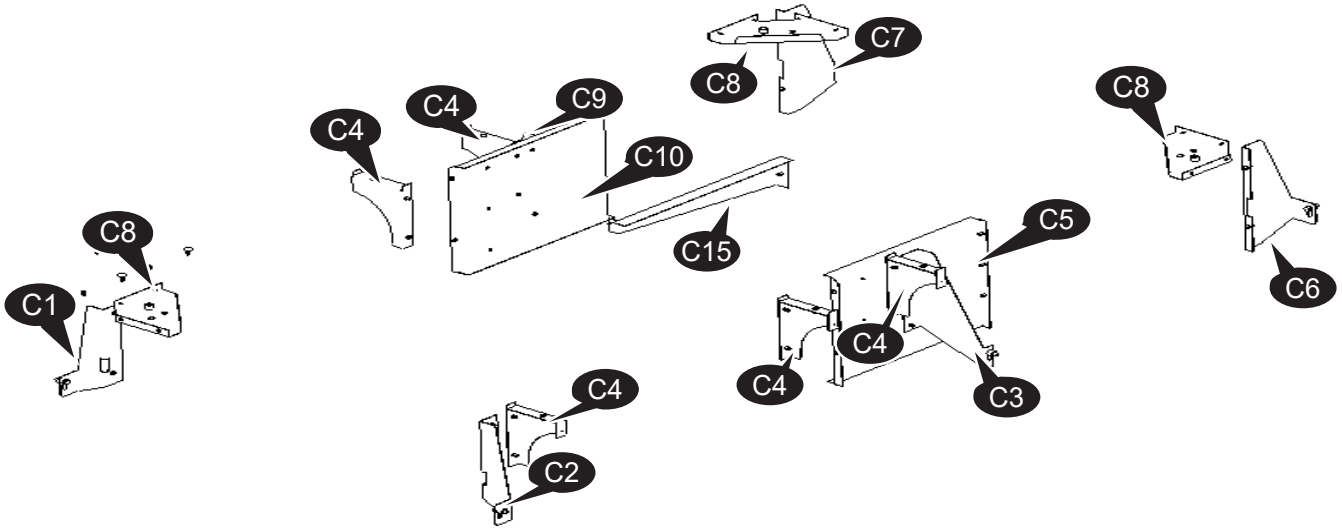
Item	Quantity	Part Number	Description
J1	1	15026333	SF Ford Transit Custom 1SLD Coer Plate
F8	5	4,2x13 S	4,2x16 FLS Platescrew selftapping BLACK

15026175 Floor Kit Ford Transit Custom L2 2024



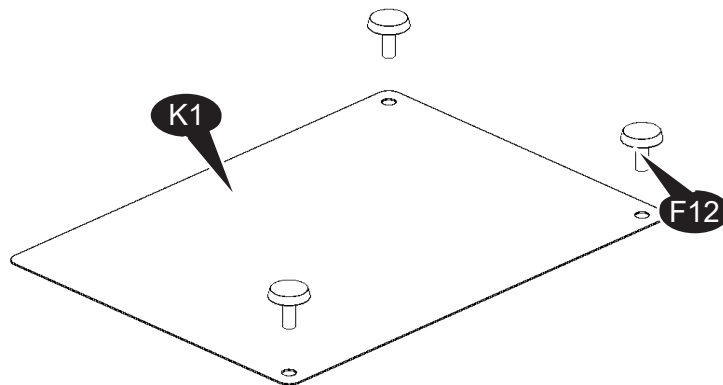
Item	Quantity	Part Number	Description
D1	1	15026150	Floor Mid Ford Transit Custom L2 2024
D2	1	15025929	Floor Rear Ford Transit Custom L2 2024 Left
D3	1	15026154	Floor Rear Ford Transit Custom L2 2024 Right
D4	1	15026185	Floor Front Ford Transit Custom L1 L2
D5	2	15026173	U-profile 9mm L=764
D6	1	15026152	H-profile 9mm L=1653
D7	1	15026153	H-profile 9mm L=1706
D9	1	15022714	U-profile 9mm L=1224
I10	1	15022462	Hatch Floor 280x450 SF 2020
D11	8	15026184	Fitting Kit Floor Kit Ford Transit Custom L2 2024

15026176 Steel Bracket Set Ford Transit Custom L2 2024



Item	Quantity	Part Number	Description
C1	1	15025679	Bracket Rear Left Transit Custom ASSY
C2	1	15025683	Bracket Rear Right Transit Custom ASSY
C3	1	15025681	Bracket Side Right Transit Custom ASSY_MIR
C4	5	15018461	Bracket Latchcup Side M8 SF 2020 ASSY
C5	1	15025925	Bracket Distance FD RD Ford Transit Custom L2 2024 Right ASSY_MIR
C6	1	15026182	Bracket Front Right Transit Custom ASSY_MIR
C7	1	15025670	Bracket Front Left Transit Custom ASSY
C8	3	15018460	Bracket Latch Inner 8mm ASSY
C9	1	15025677	Bracket Side Left Transit Custom ASSY
C10	1	15026331	Bracket Distance FD RD Ford Transit Custom L2 2024 Left ASSY
C15	1	15026156	Bracket Distance Middle SF Ford Tr Custom L2 ASSY

15026163 SF Ford Transit Custom Tool Box Lid



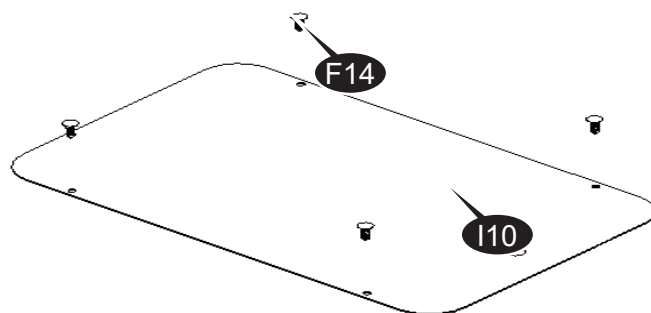
Item	Quantity	Part Number	Description
K1	1	15026163	SF Ford Transit Custom Tool Box Lid
F12	3	M6x20	Ø20 Rattskrue

15026171 SF Ford Transit Custom L1 L2 Cover plate Front



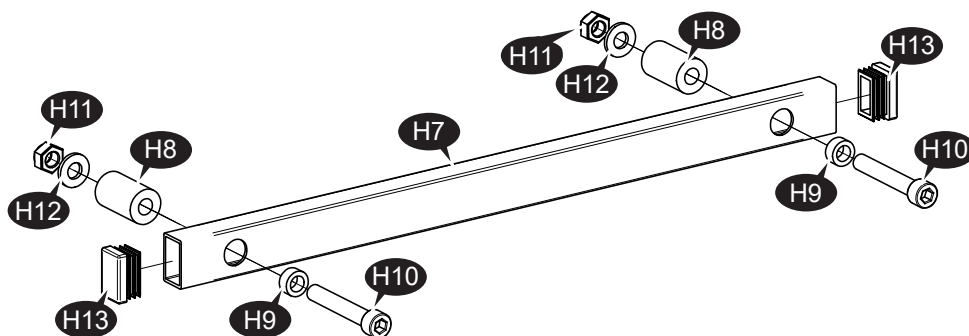
Item	Quantity	Part Number	Description
H1	1	15026171	SF Ford Transit Custom L1 L2 Cover plate Front
F4	1	721004	Rubber Profile L1600mm:1
F8	8	4,2x16 S	4,2x16 FLS Platescrew selftapping BLACK

15022462 Hatch Floor 280x450 SF 2020



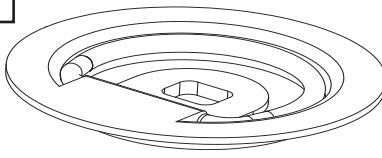
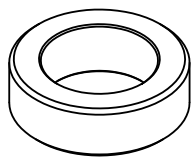
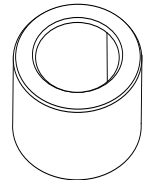
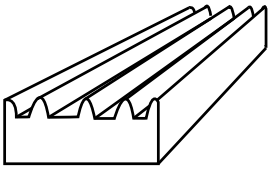
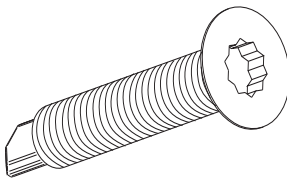
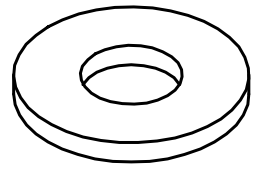
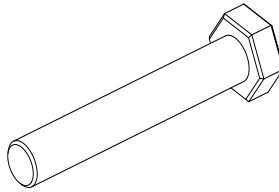
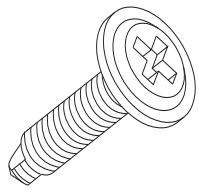
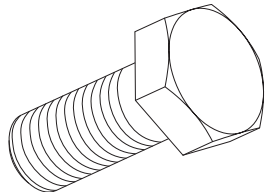
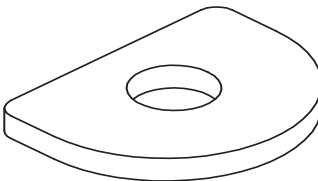
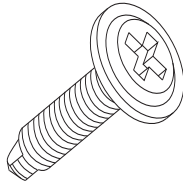
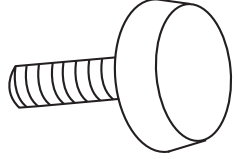
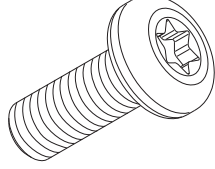
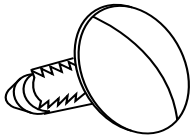
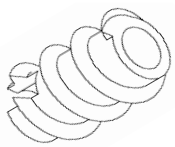

Item	Quantity	Part Number	Description
I10	2	15022462	Hatch Floor 280x450 SF 2020
F14	8	Sort plastpropp	Black FTB

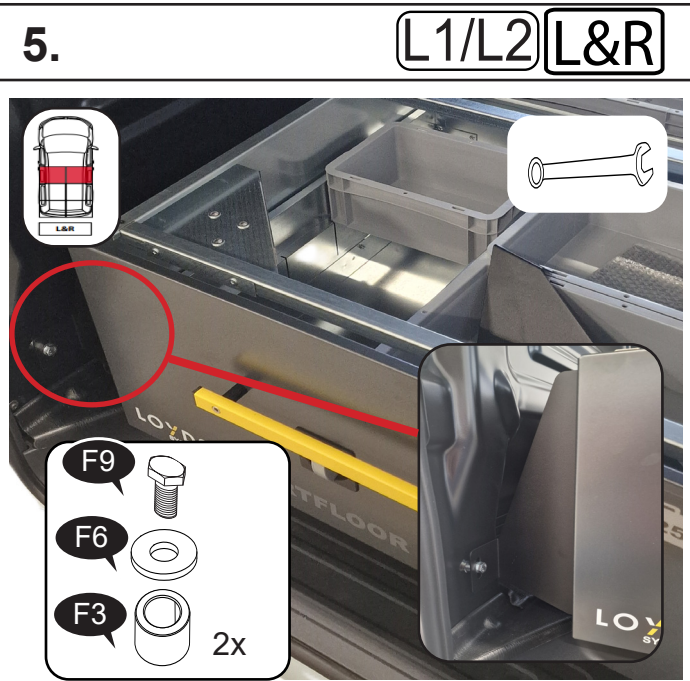
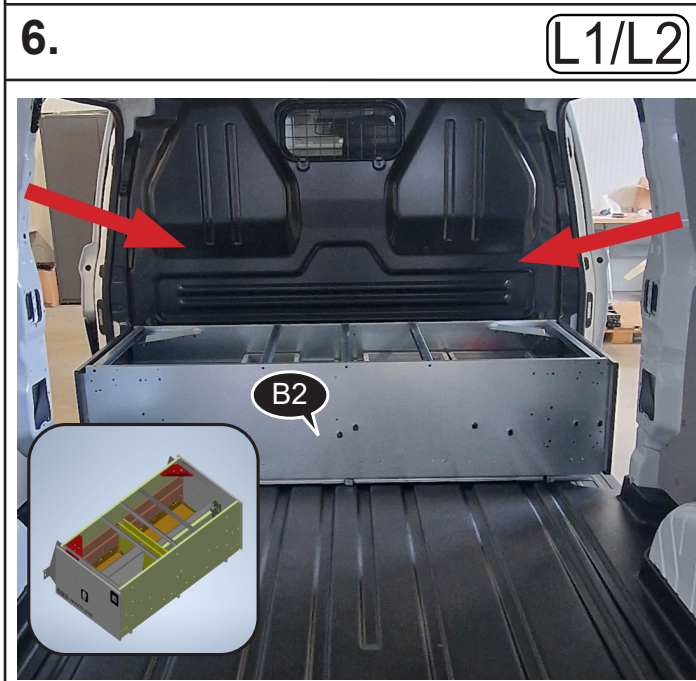
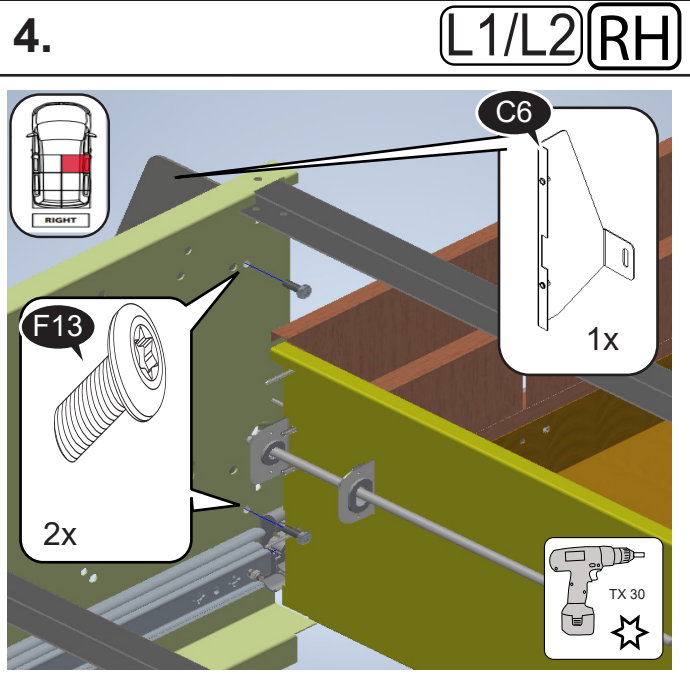
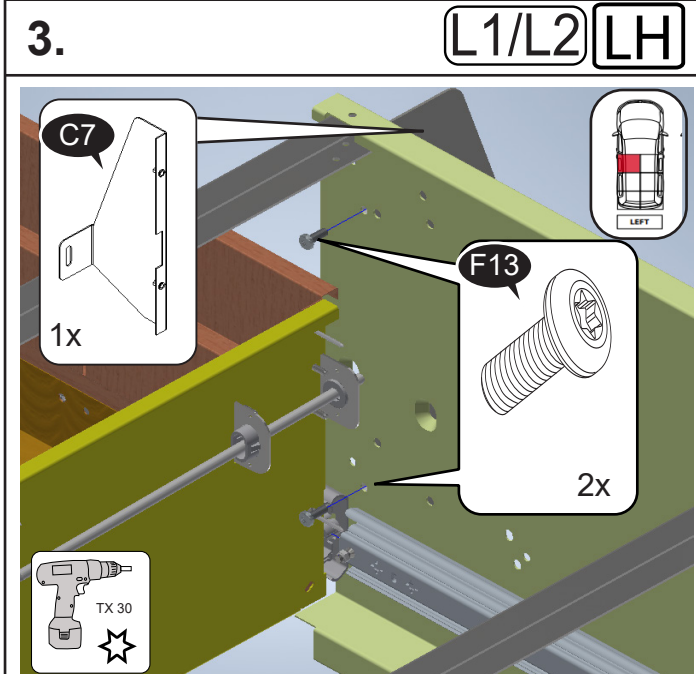
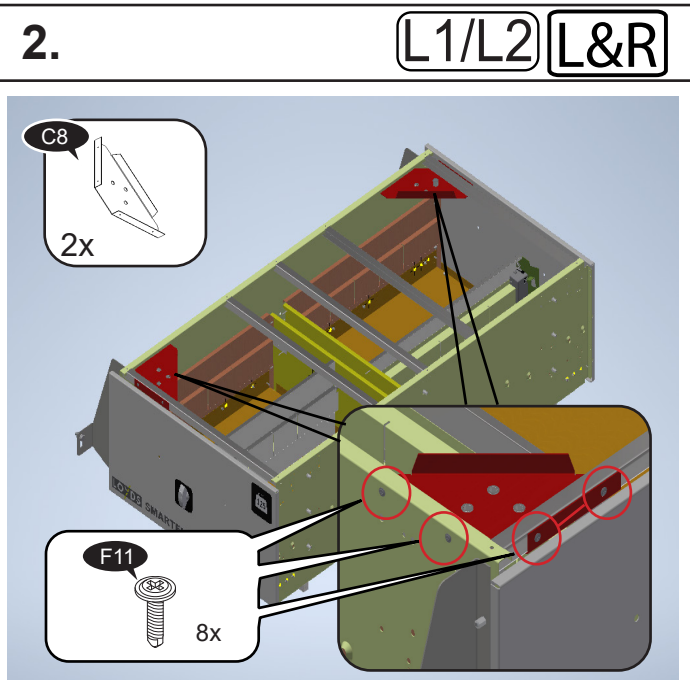
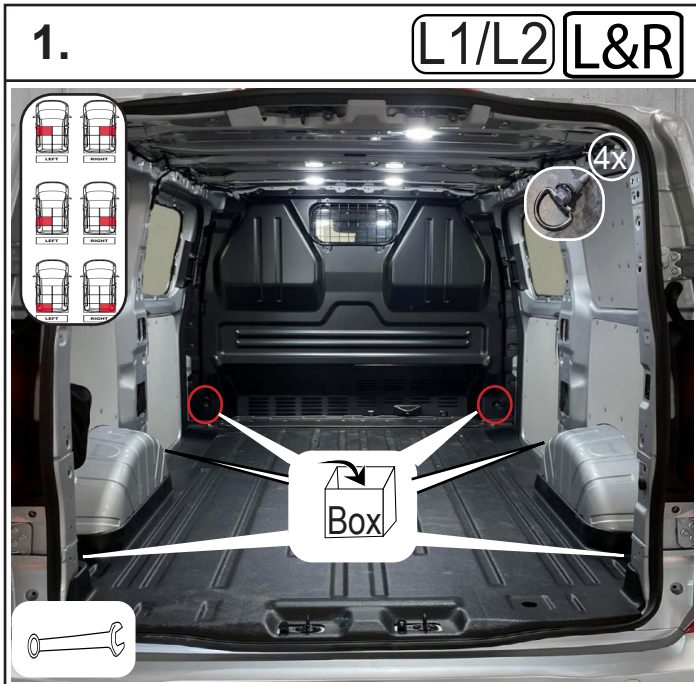
15010236 Handle Assy



Item	Quantity	Part Number	Description
H7	1	15009441	Handle Tube 25x15x286
H8	2	15009442	Spacer Ø8,3x18x30 Nylon Black
H9	2	15009443	Spacer Ø8,1x13x6mm Galv
H10	2	15009444	Screw M8x50 Cylinderh Hex
H11	2	8 NMU	Mutter M8 Nyloc DIN985
H12	2	8,4x17x2	M8 Washer, DIN 125
H13	2	15009438	End sleeve Black

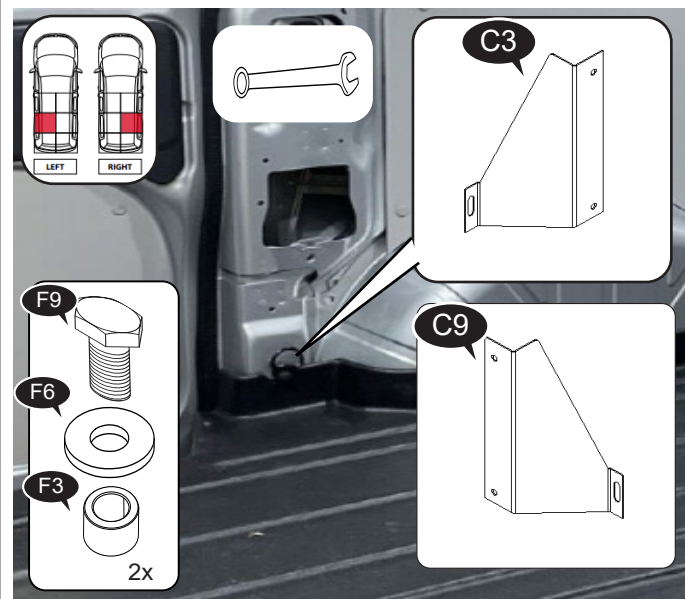
Fitting kit

<p>F1</p>  <p>15005497 Latchcup Black Ø90 Ø12x15 1000Kp</p>	<p>F2</p>  <p>13X20X6,4 Spacer, U-709</p>	<p>F3</p>  <p>15001584 Distance Sleeve D20 d13 h15</p>
<p>F4</p>  <p>36.721004 Rubber Profile Sindby (L: 1200 mm)</p>	<p>F5</p>  <p>15016947 4.8x25 Selfdrill CS RW25 Elz</p>	<p>F6</p>  <p>DIN 125 - A 10.5 Washer Washer 10,5x20x2mm</p>
<p>F7</p>  <p>15004713 M8x50 Screw 6K Black DIN933</p>	<p>F8</p>  <p>4,2x16 FLS Platescrew selftapping BLACK</p>	<p>F9</p>  <p>10X40 6K Bolt, M10x40 Din933 6K ,Zn</p>
<p>F10</p>  <p>15005884 Washer Latchcup for Ø8</p>	<p>F11</p>  <p>4,2x16 FL Platescrew selftapping BLANK Elz</p>	<p>F12</p>  <p>M6x20 Ø20 Rattskruer</p>
<p>F13</p>  <p>15003551 M6x16 TX30 pan (DIN 7985)</p>	<p>F14</p>  <p>Sort plastpropp</p>	<p>F15</p>  <p>15010378 M6 Threaded insert with hex</p>
<p>F16</p>  <p>15009571 Screw 4,2x13 Selfdrill Panh Torx socket</p>	<p>F17</p>	<p>F18</p>
<p>F19</p>	<p>F20</p>	<p>F21</p>



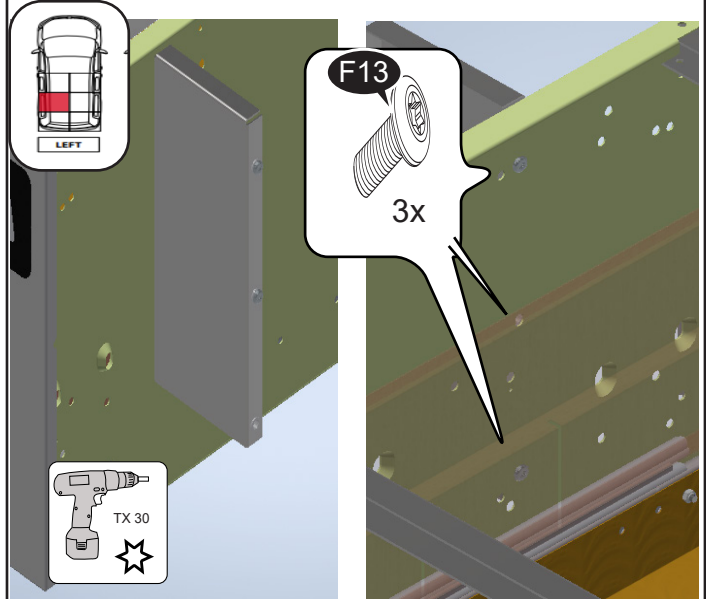
7.

L1/L2 L&R



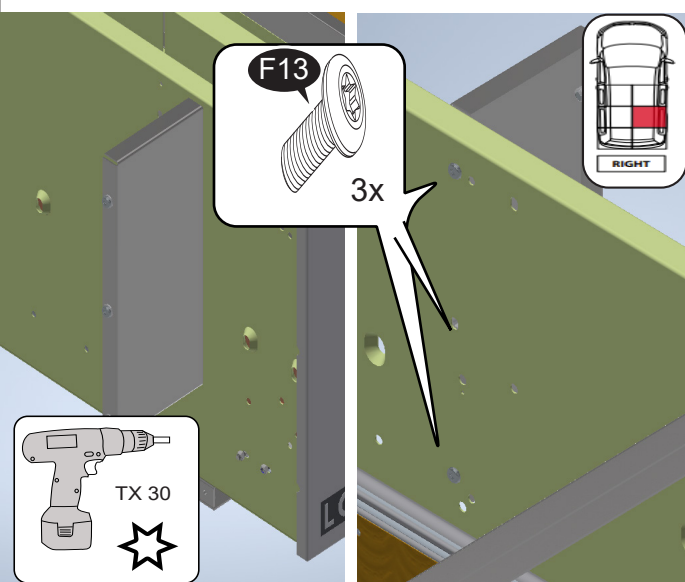
8.

L1 LH



9.

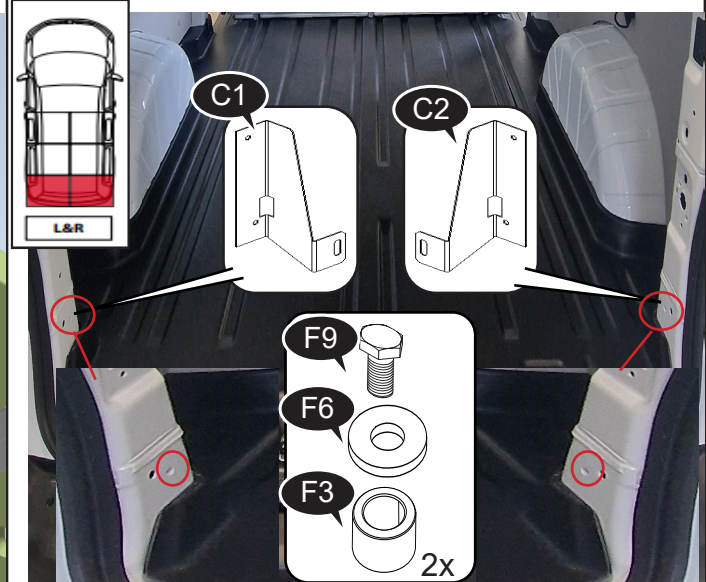
L1 RH



10.

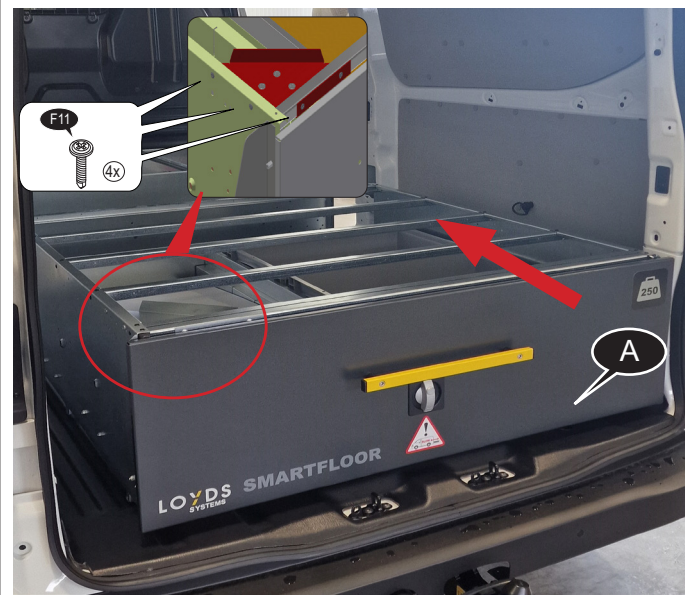
Look at page 19

L1 L&R



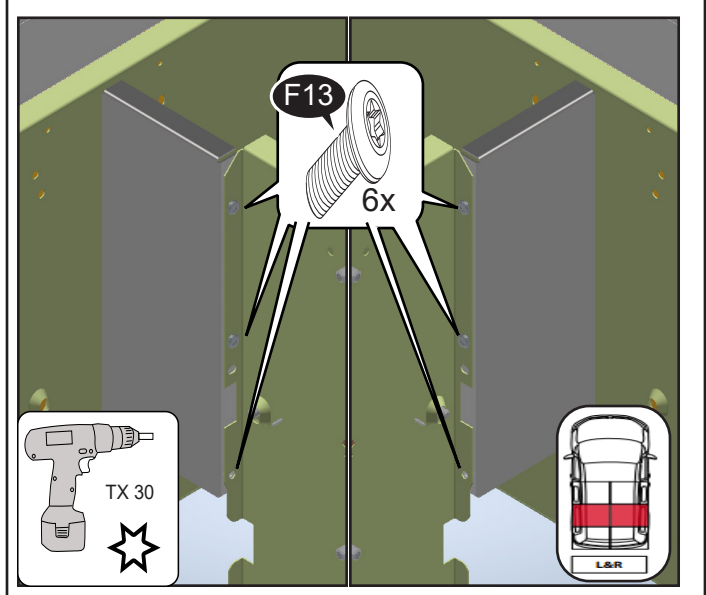
11.

L1 L&R



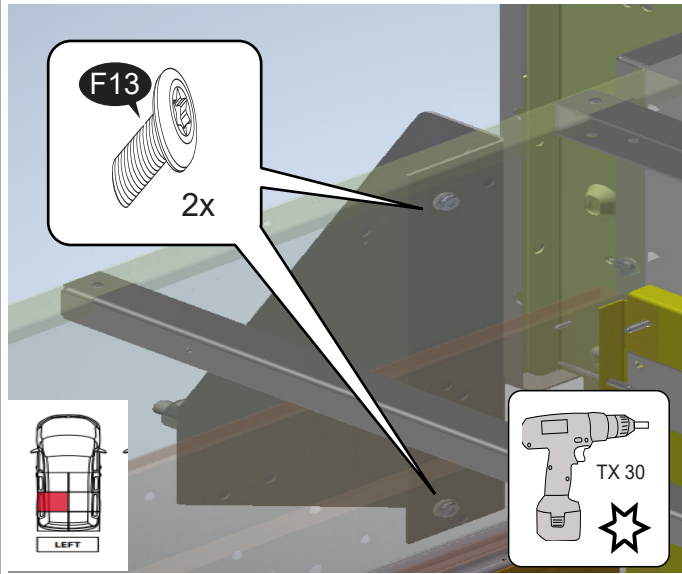
12.

L1 L&R



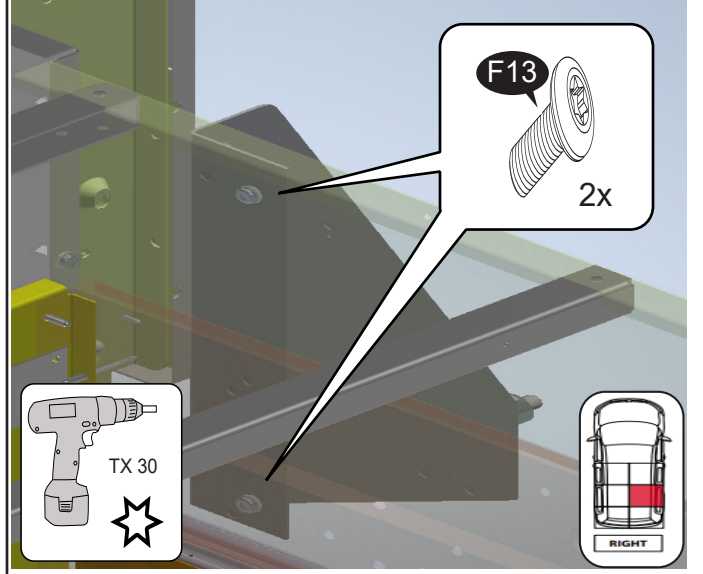
13.

L1 RH



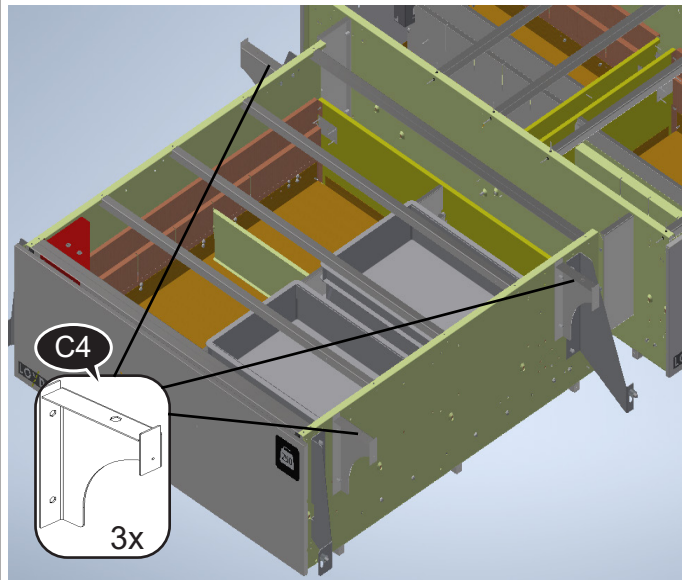
14.

L1 LH



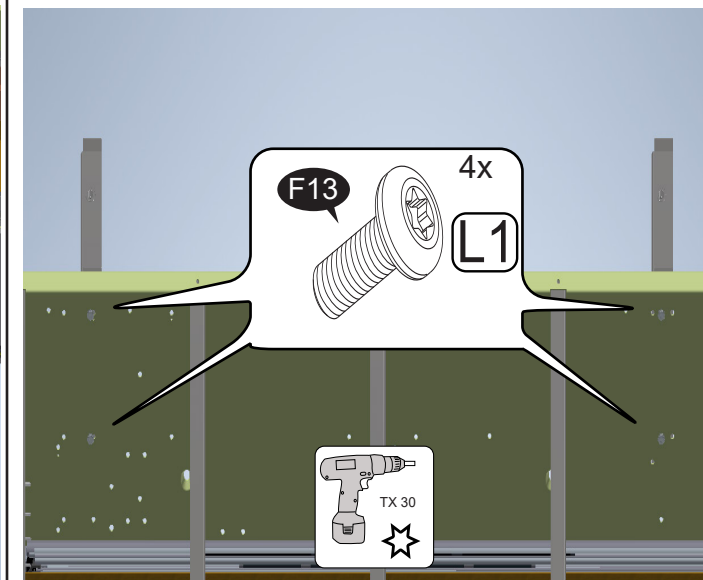
15.

L1



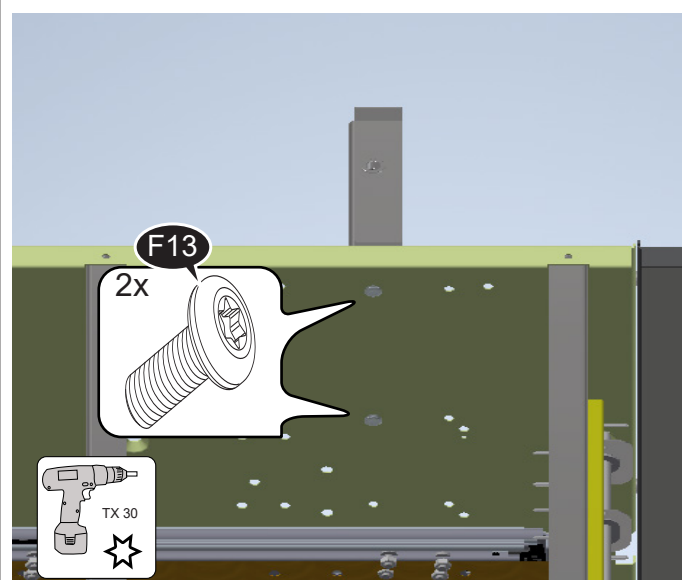
16.

L1 LH



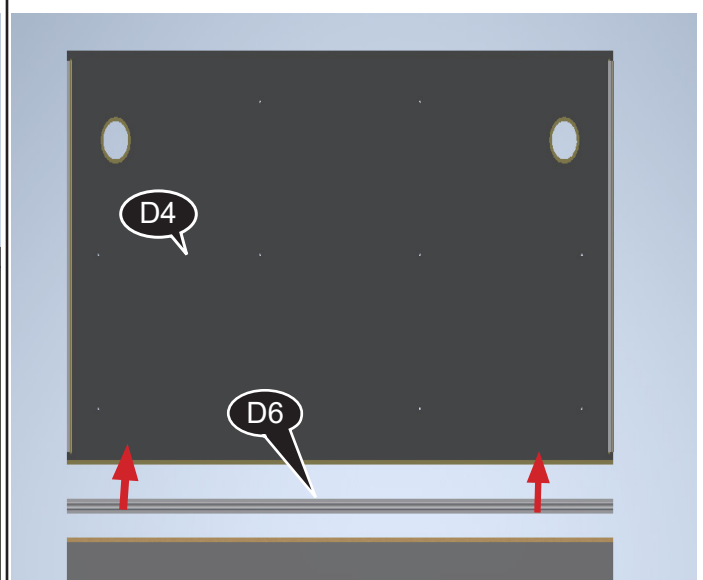
17.

L1 RH



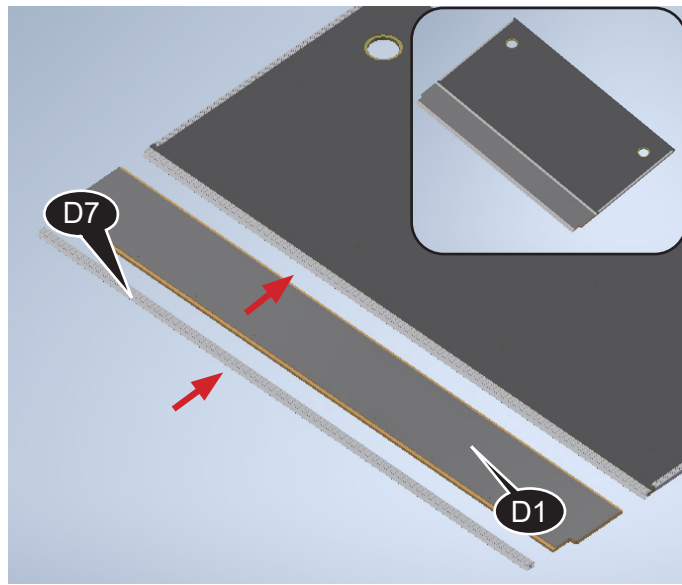
18.

L1



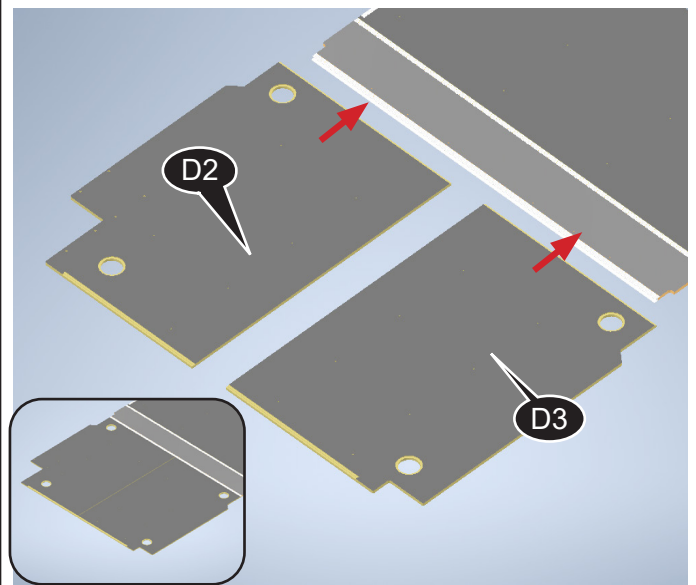
19.

L1



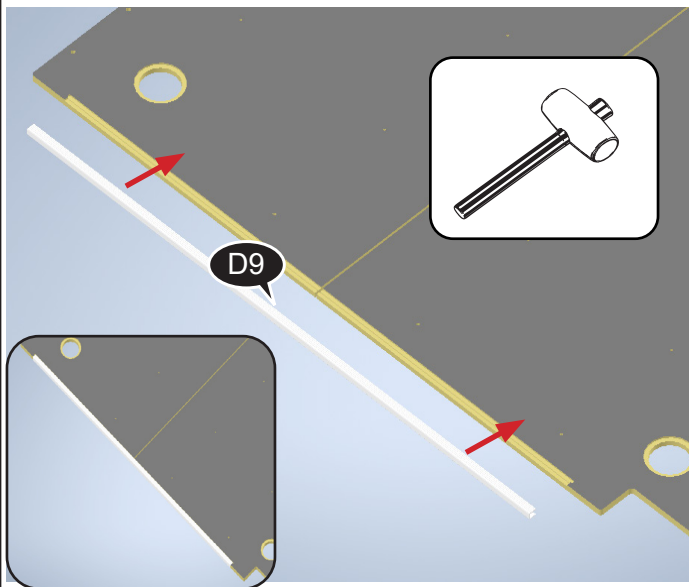
20.

L1



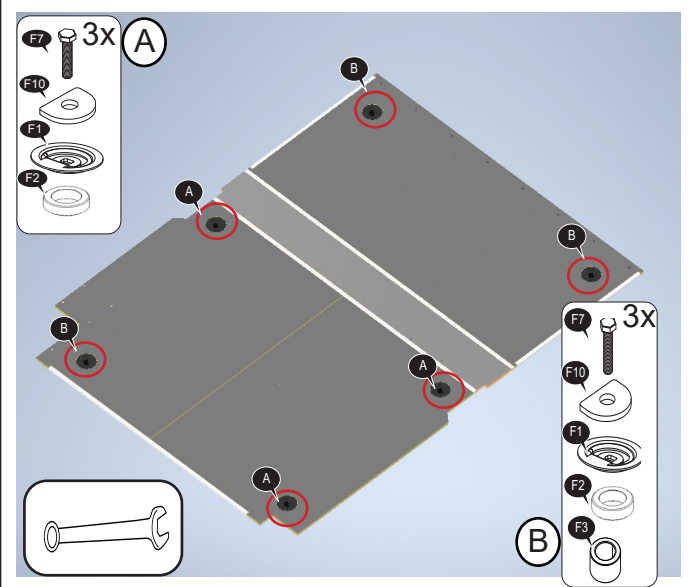
21.

L1



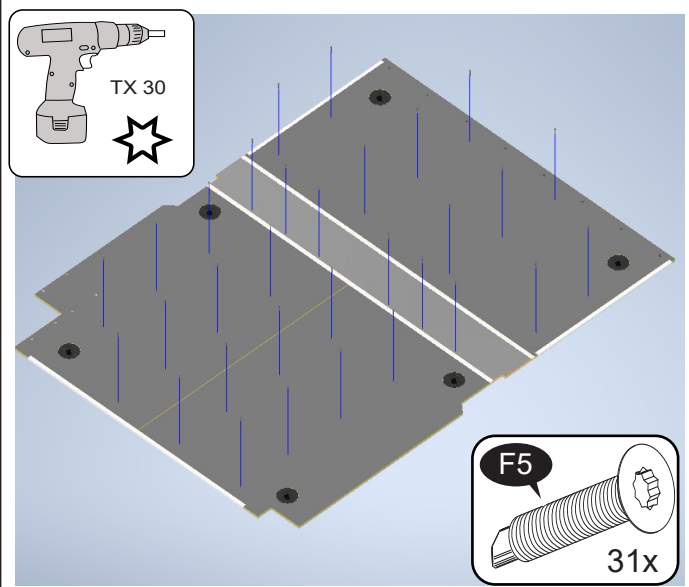
22.

L1



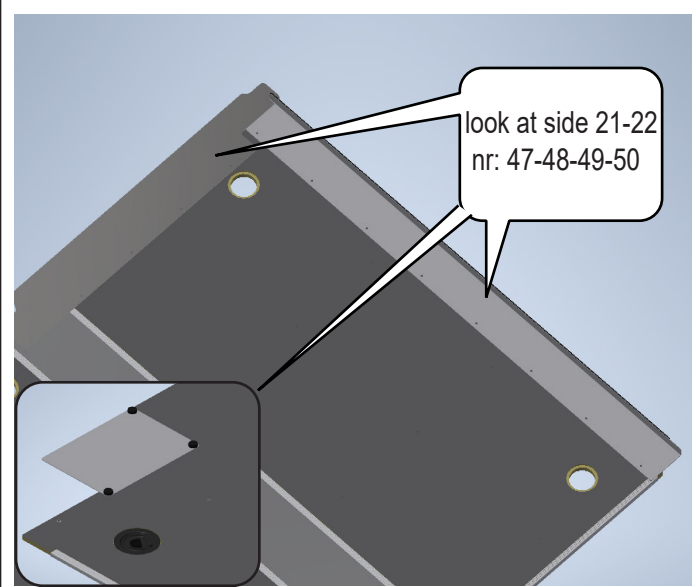
23.

L1



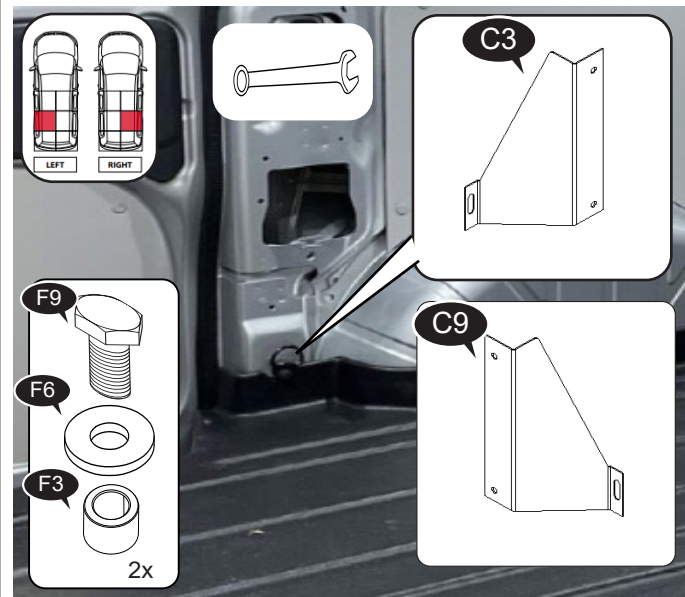
24.

L1



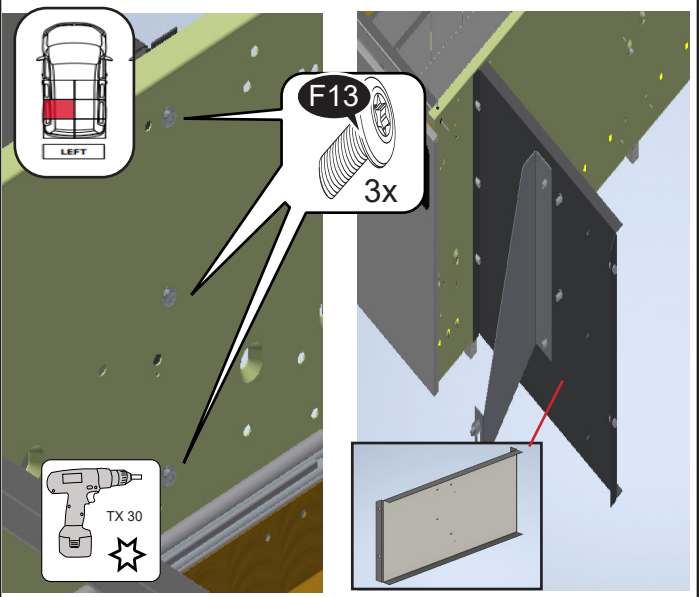
25.

L1/L2 L&R



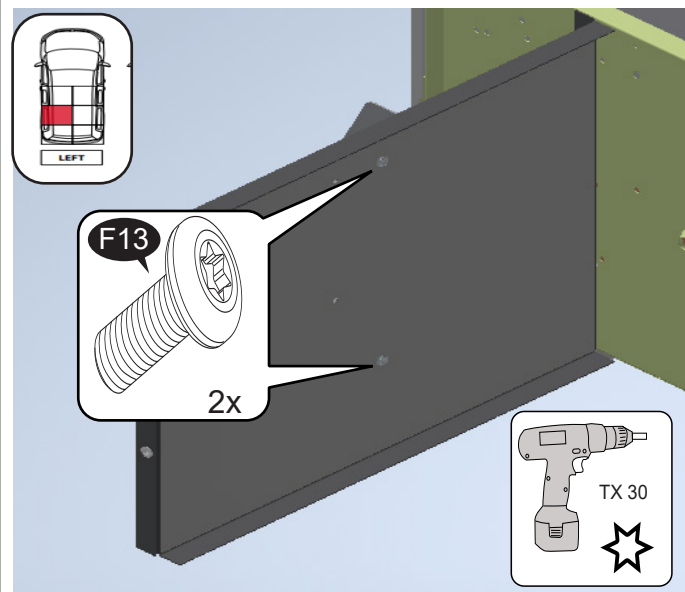
26.

L2 LH



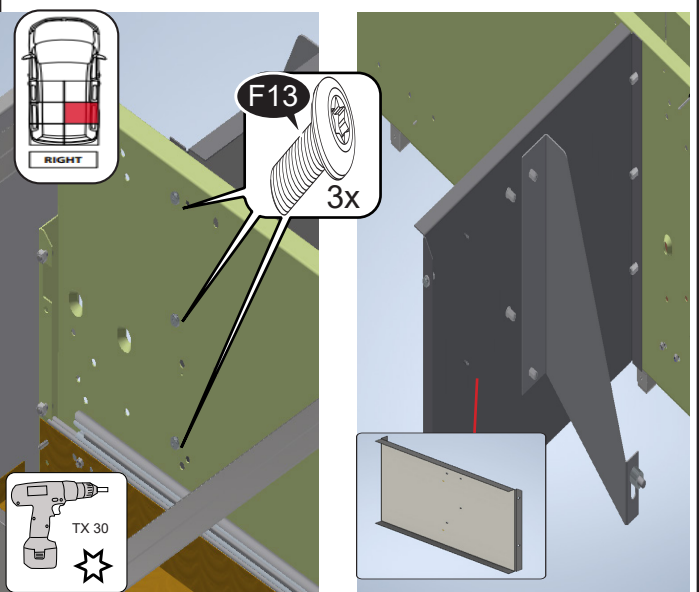
27.

L2 LH



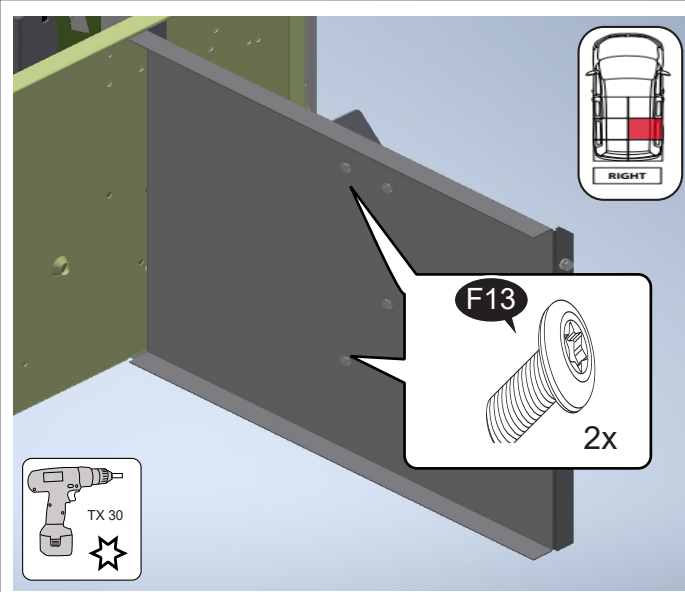
28.

L2 RH



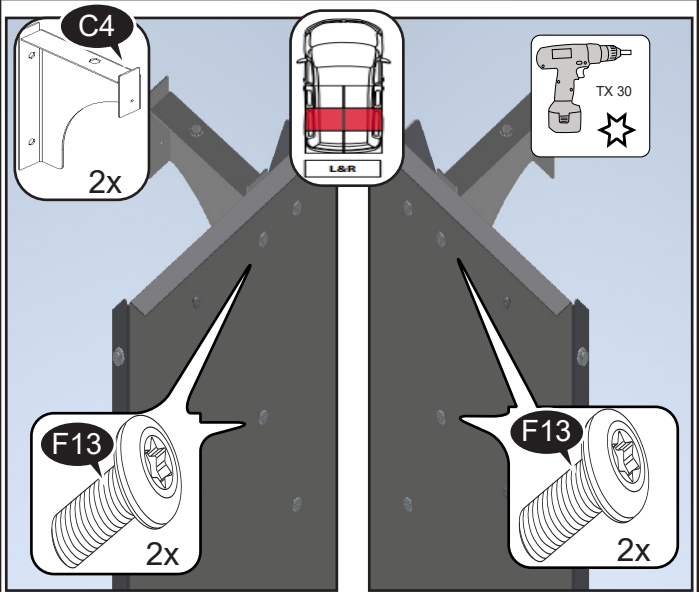
29.

L2 RH



30.

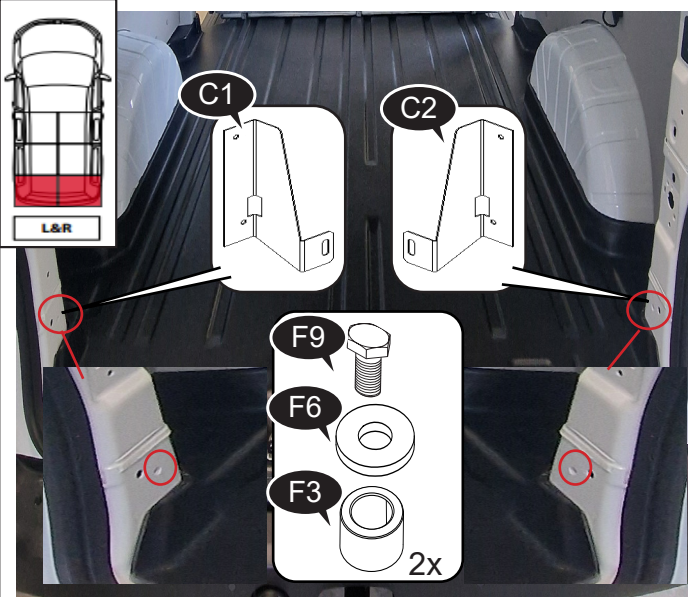
L2 L&R





32.

L1/L2



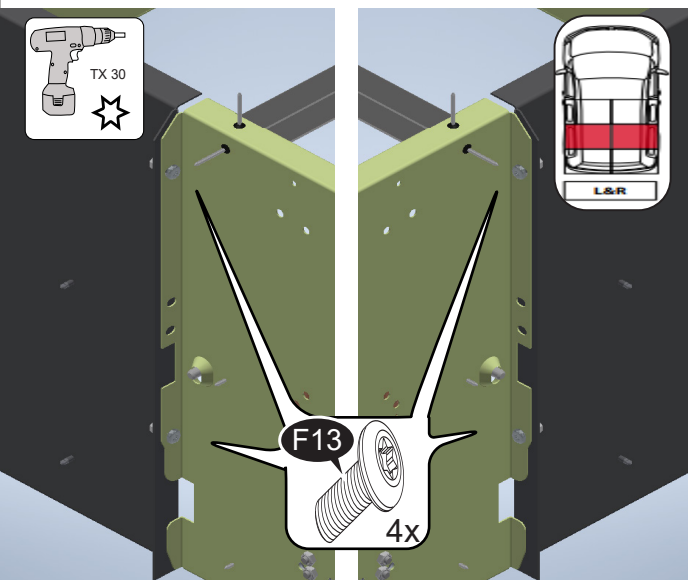
33.

L1/L2



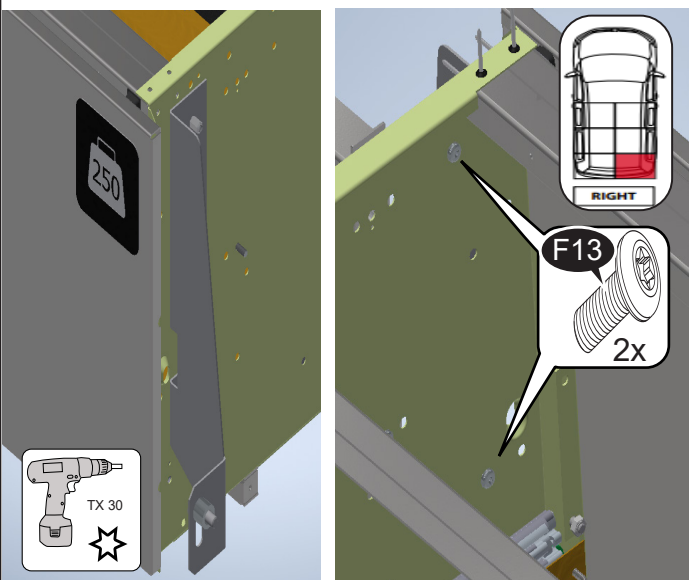
35.

L2 L&R



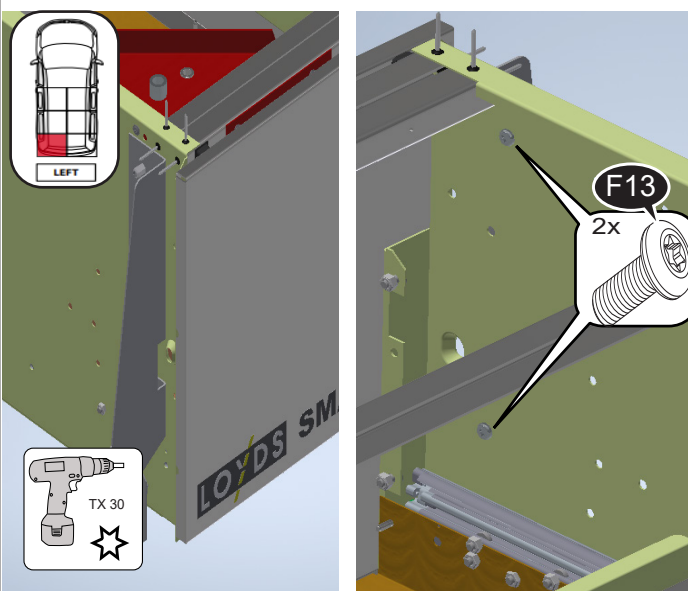
36.

L2 RH



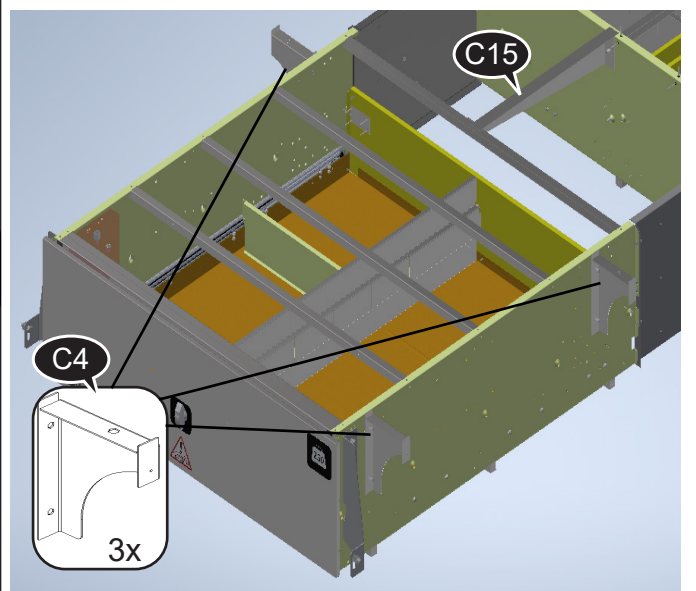
37.

L2 LH



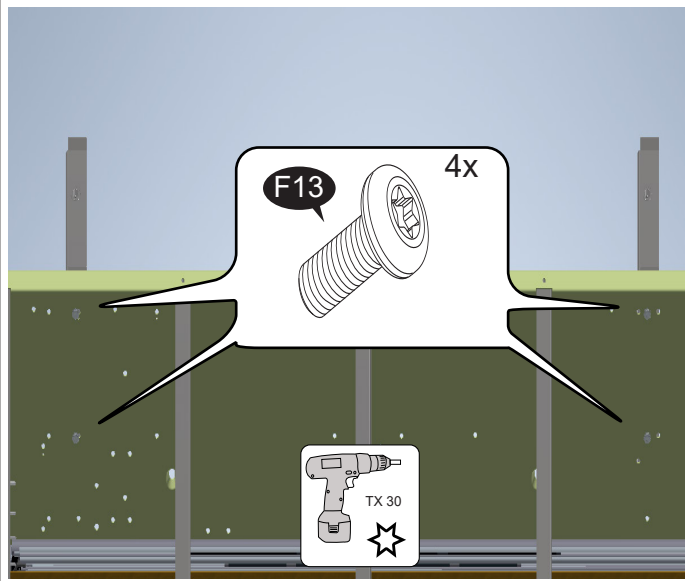
34.

L1/L2



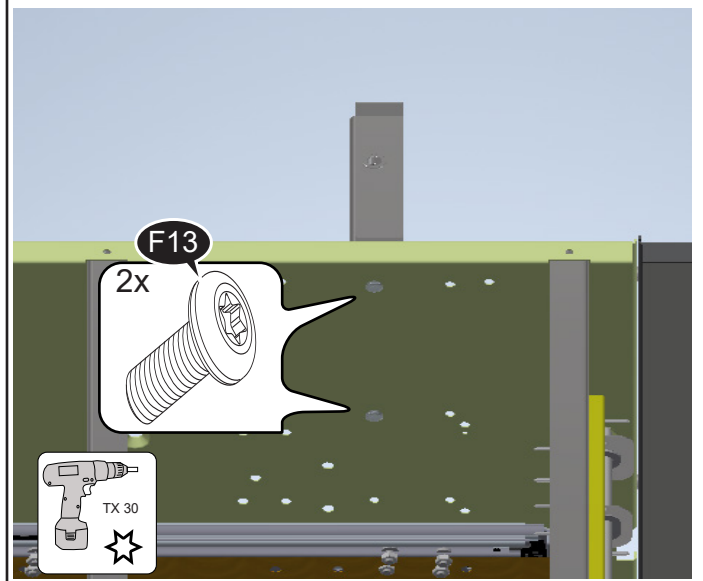
38.

L2 RH



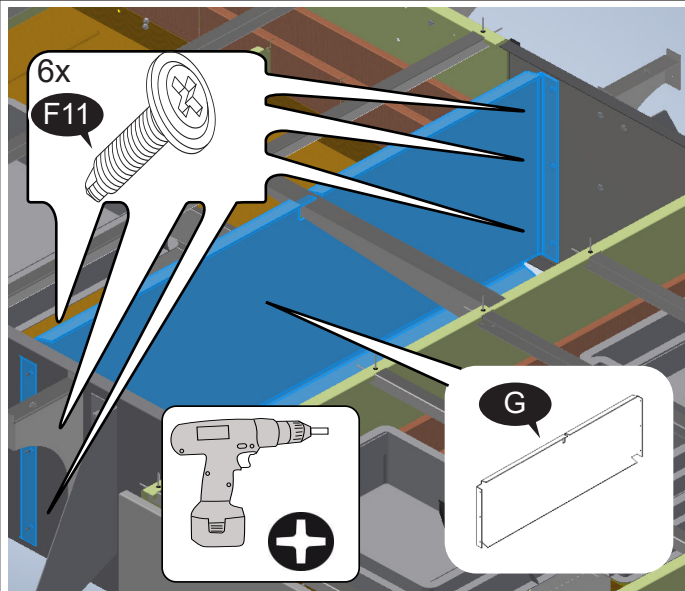
39.

L2 LH



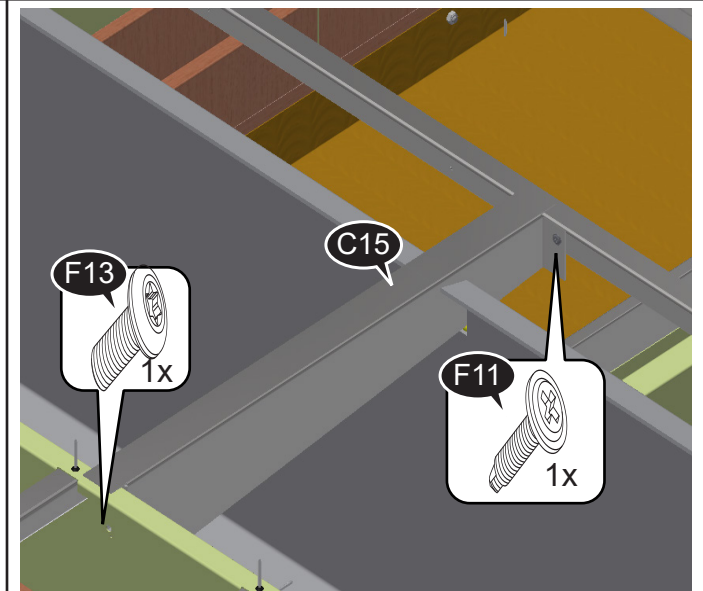
40.

L2



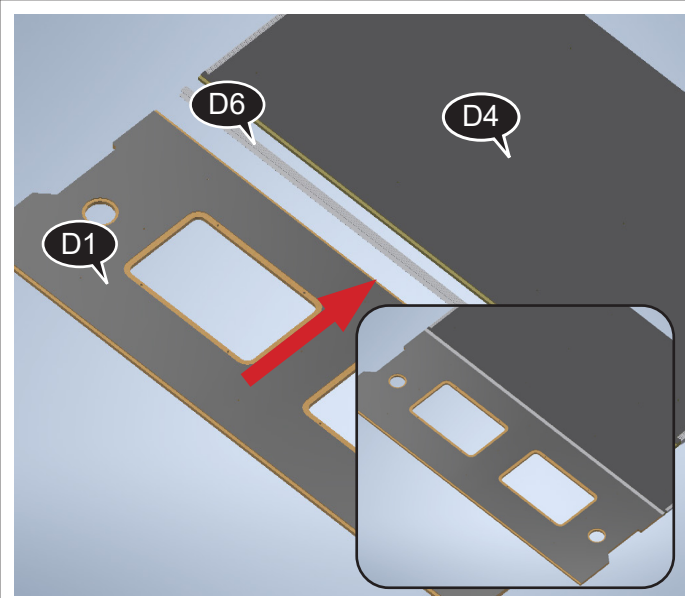
41.

L2



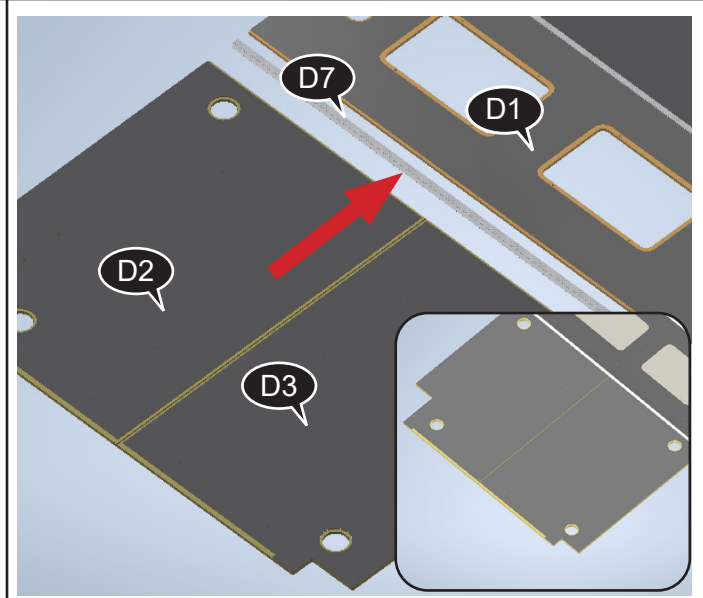
42.

L2



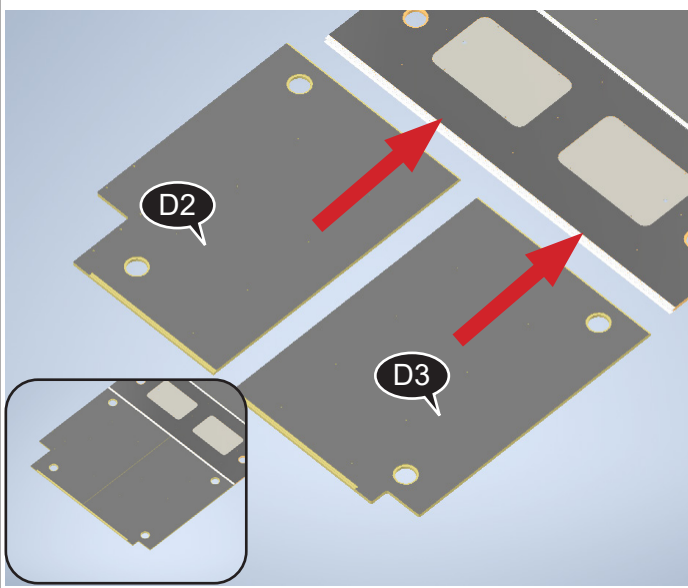
43.

L2



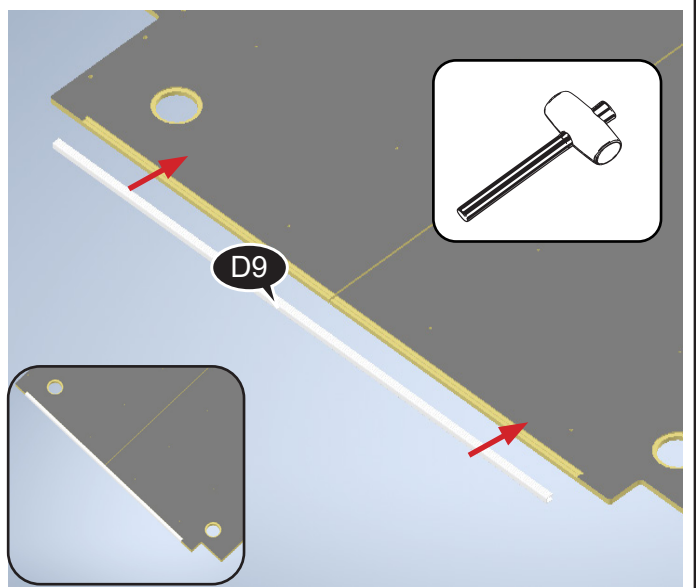
44.

L2



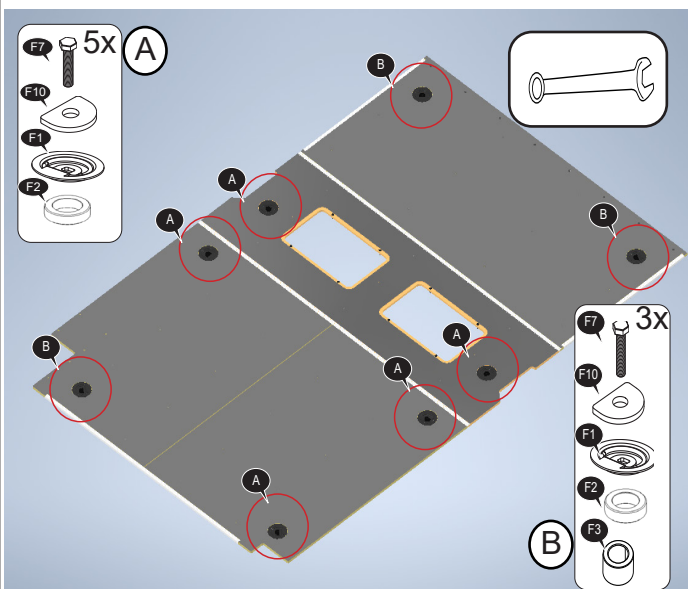
45.

L2



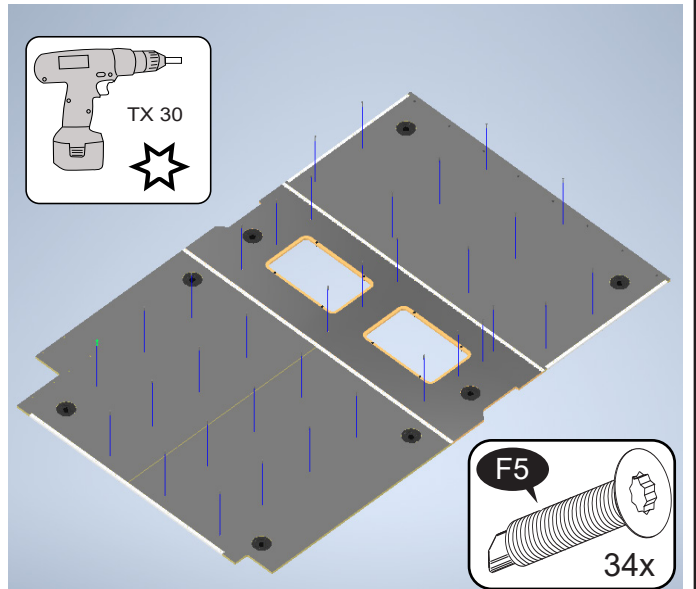
46.

L2



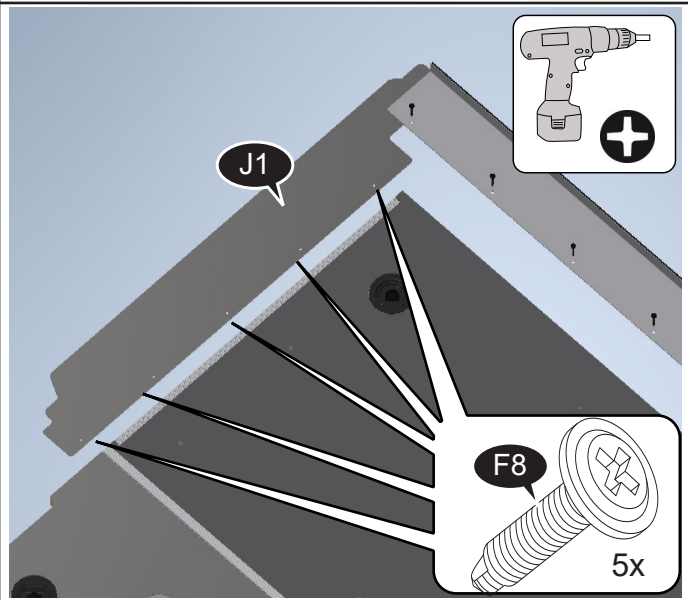
47.

L2



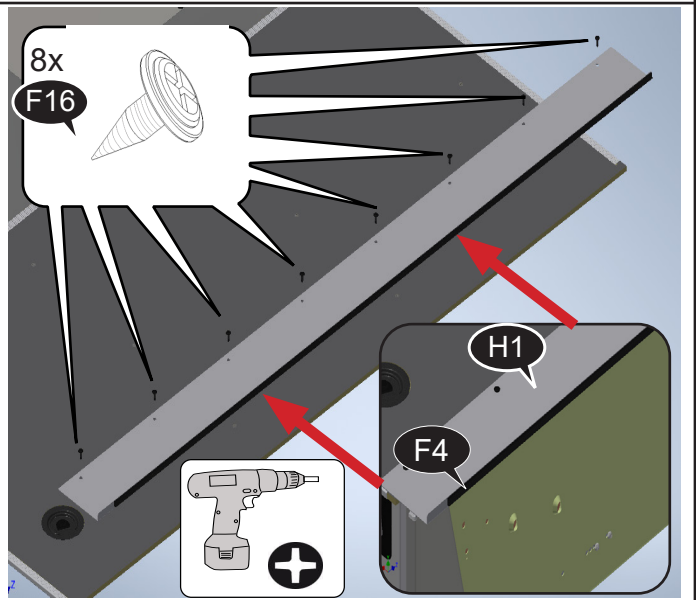
48.

L1/L2 LH 1SLD



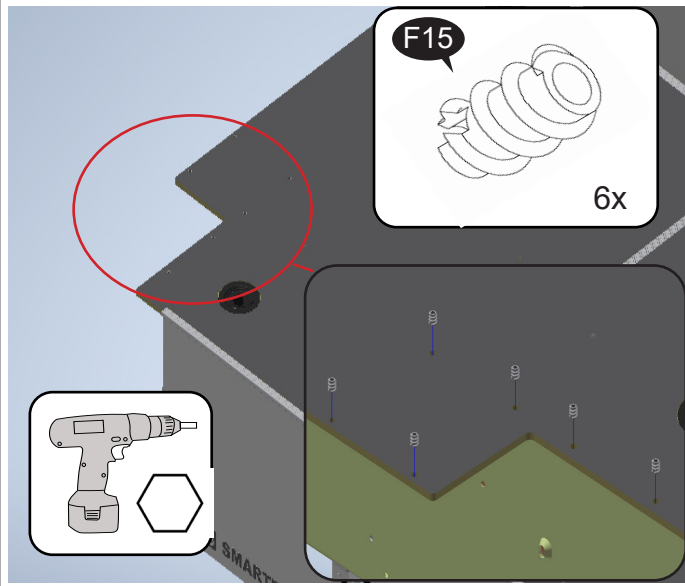
49.

L1/L2 1SLD 2SLD



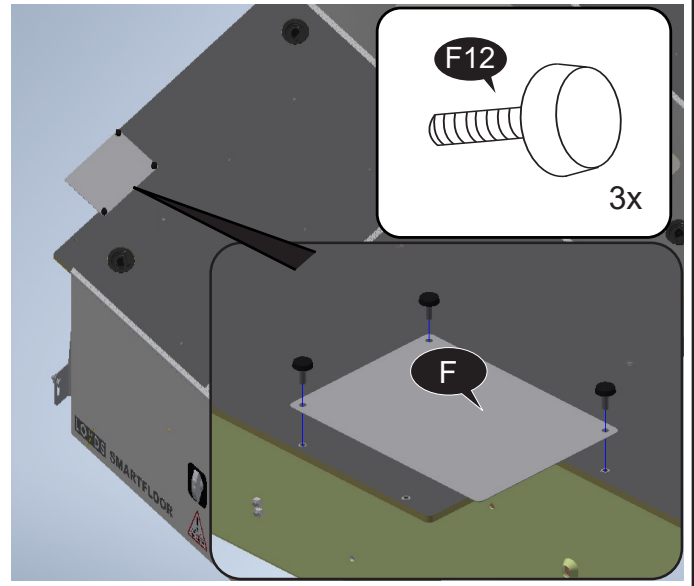
50.

L1/L2 LH



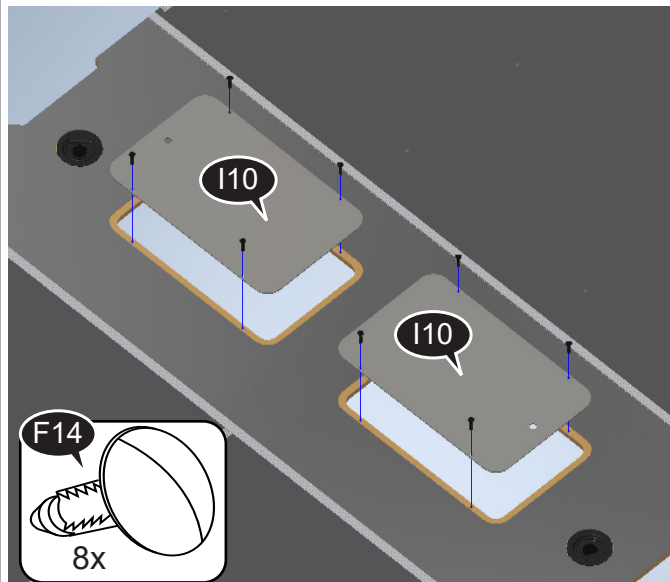
51.

L1/L2 LH



52.

L2



53.

54.