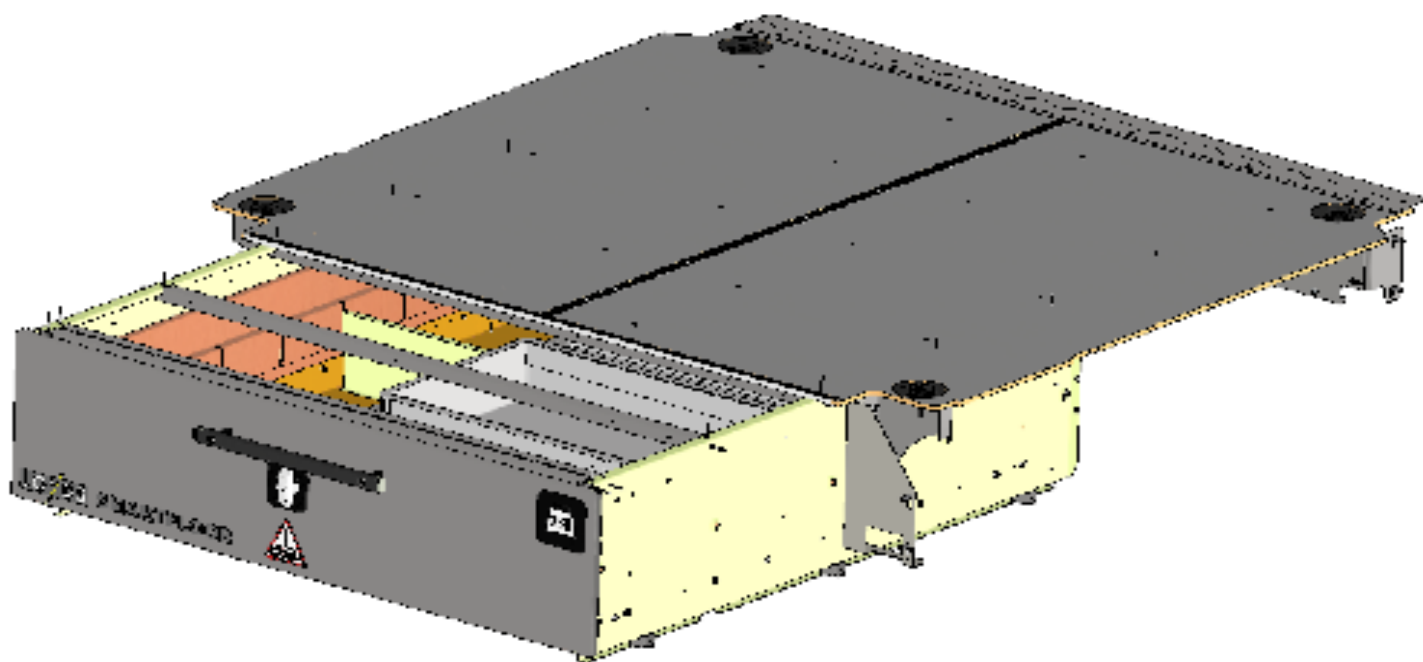


# SMARTFLOOR

## Volkswagen Amarok Installation Manual



Manual nr 15026242 Rev0  
Loyds Industri AS 2024-06-10

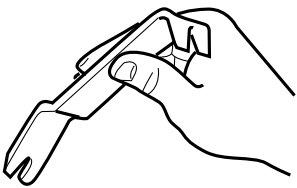
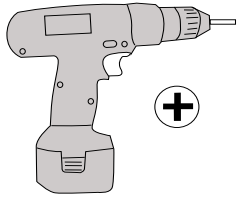
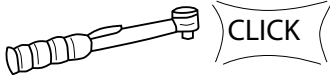
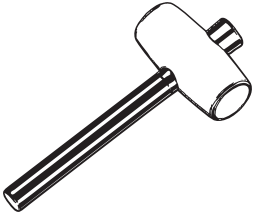
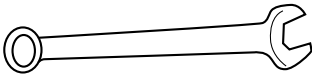
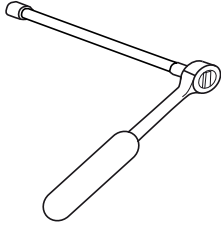
# Revision Record

Rev nr	Date	Page	Picture	Update	New	Deleted steps

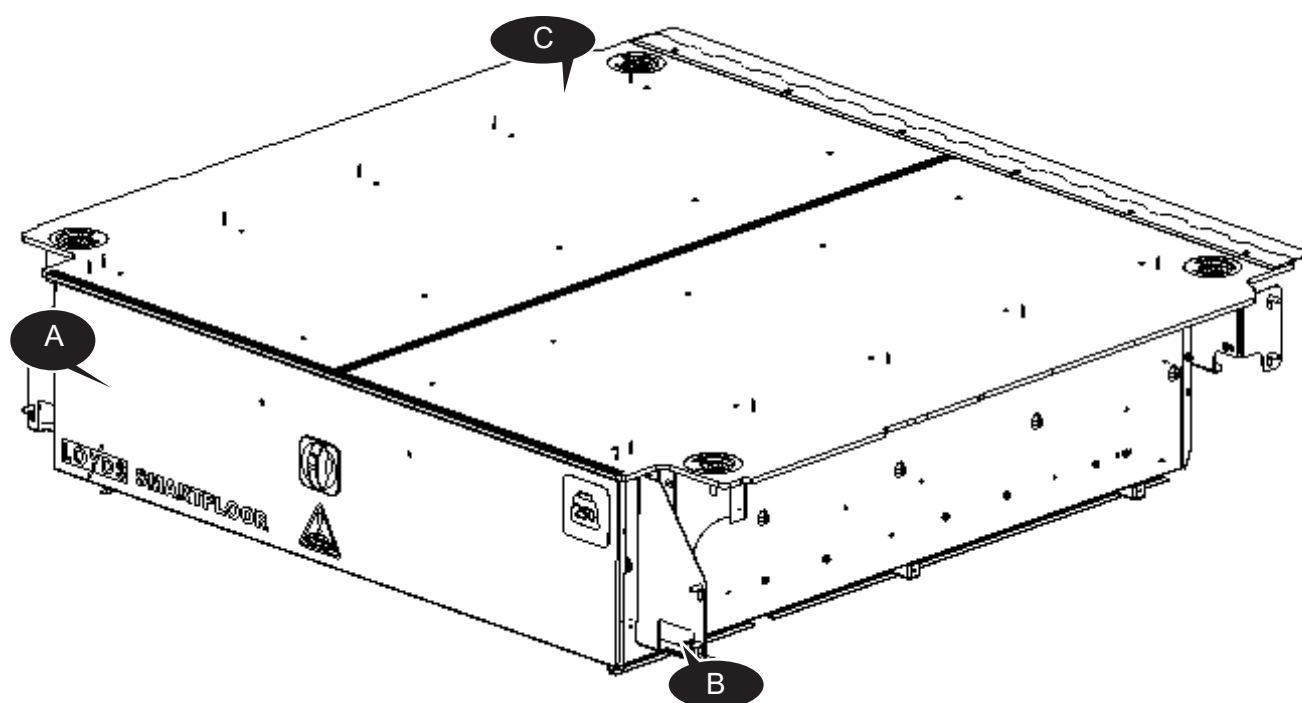
## Recommended torque for screws:

4,2mm Selfdrilling: 3,6 NM  
 6mm: 6 NM  
 8mm: 10 NM  
 10mm: 42 NM

# Tools

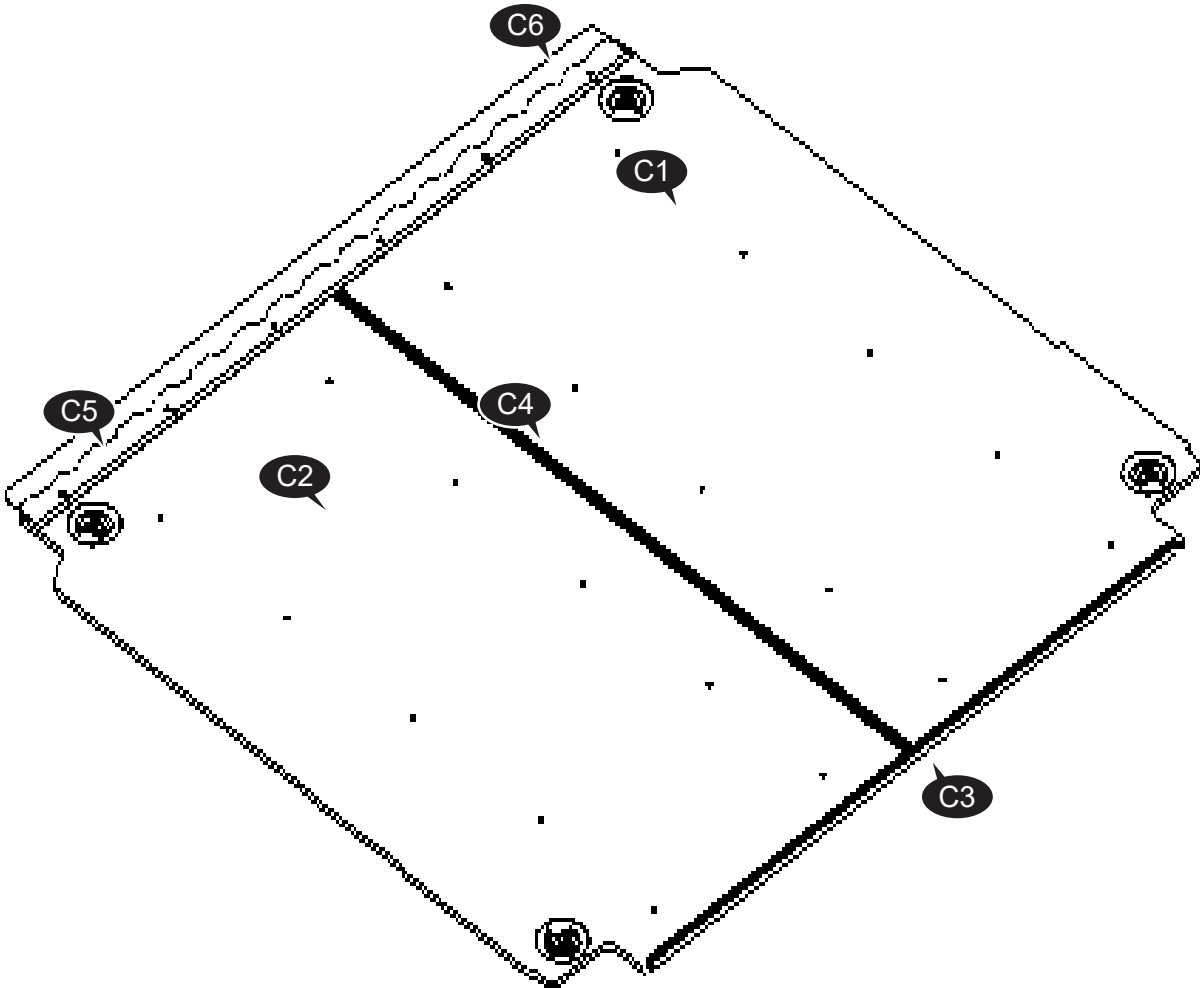
			
10-13 mm 	10-13 mm 	Torx Bits TX 20 TX 25 TX 30	

# 15025299 Kit Clomplete SF VW Amarok



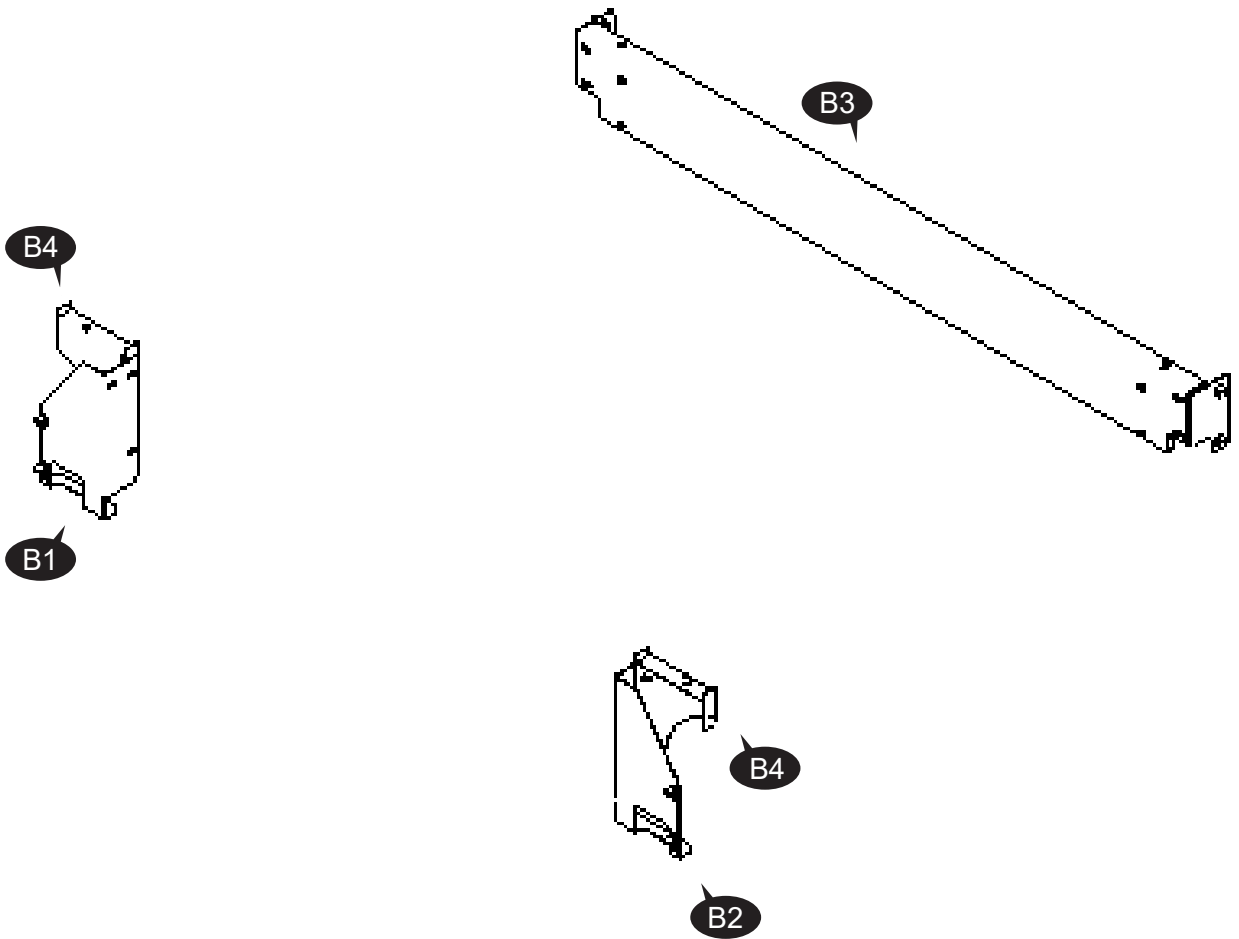
Item	Quantity	Part Number	Description
A	1	15025318	SF Rear Drawer W1140 L1200 Low
B	1	15025434	Steel Bracket set SF Amarok
C	1	15025367	Wooden Floor Set Amarok ASSY

15025367 Wooden Floor Set Amarok ASSY



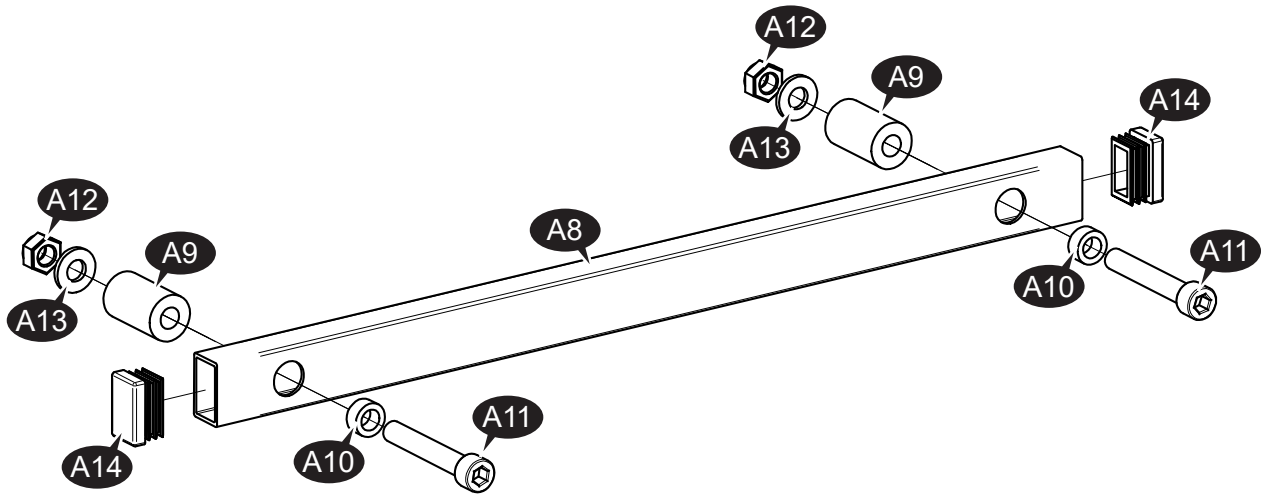
15025367 Wooden Floor Set Amarok ASSY			
Item	Quantity	Part Number	Description
C1	1	15025394	Wooden Floor Right Amarok 9mm
C2	1	15025368	Wooden Floor Left Amarok 9mm
C3	1	15025369	U-profile Amarok 9mm L=1244
C4	1	15025370	H-profile Amarok 9mm L=1389
C5	1	15025419	SF Floor Extend Bracket VW Amarok
C6	1	15025433	SF Floor Extend Bracket VW Amarok

15025434 Steel Bracket set SF Amarok



Item	Quantity	Part Number	Description
B1	1	15025387	SF Rear bracket left VW Amarok
B2	1	15025307	SF Rear bracket right VW Amarok
B3	1	15025304	Bracket Beam Rear VW Amarok ASM
B4	2	15018461	Bracket Latchup Side M8 SF 2020 ASSY

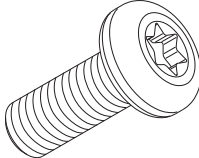
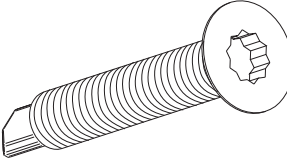
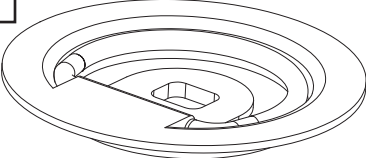
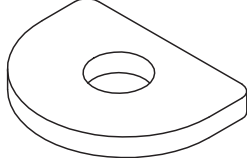
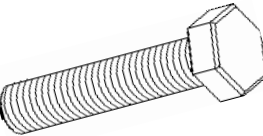

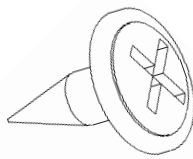
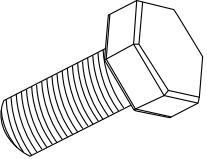
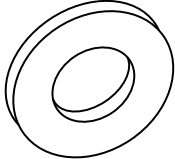
## 15010236 Handle Assy



15010236 Handle Assy

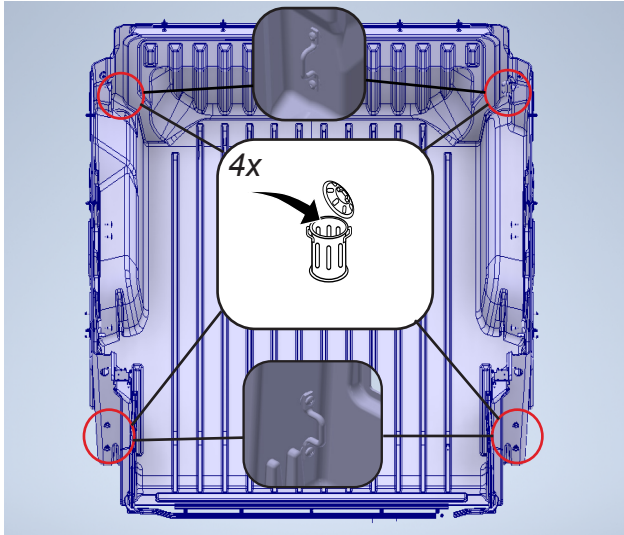
Item	Quantity	Part Number	Description
A8	1	15009441	Handle Tube 25x15x286
A9	2	15009442	Spacer Ø8,3x18x30 Nylon Black
A10	2	15009443	Spacer Ø8,1x13x6mm Galv
A11	2	15009444	Screw M8x50 Cylinderh Hex
A12	2	8 NMU	Mutter M8 Nyloc DIN985
A13	2	8,4x17x2	M8 Washer, DIN 125
A14	2	15009438	End Plug Tube 25x15 Inside

## Fitting Kit

<p><b>F1</b></p>  <p style="text-align: center;">15003551 M6x16 TX30 pan (DIN 7985)</p>	<p><b>F2</b></p>  <p style="text-align: center;">15016947 Screw 4,8x25 Selfdrill Counters Torx</p>	<p><b>F3</b></p>  <p style="text-align: center;">15005497 Latch Cup Black Ø90 Ø12x15 1000Kp</p>
<p><b>F4</b></p>  <p style="text-align: center;">15005884 Washer Latchcup for Ø8</p>	<p><b>F5</b></p>  <p style="text-align: center;">15004713 M8x50 Screw, 6K DIN 933 Elz, sort</p>	<p><b>F6</b></p>  <p style="text-align: center;">13x20x6,4</p>
<p><b>F7</b></p>  <p style="text-align: center;">Screw 4,2x13 Flathead Needle Black</p>	<p><b>F8</b></p>  <p style="text-align: center;">8x25 6K M8x25 6K Elz 8.8 Din 933</p>	<p><b>F9</b></p>  <p style="text-align: center;">8,4x17x2 M8 Washer, DIN 125</p>
<p><b>F10</b></p>	<p><b>F11</b></p>	<p><b>F12</b></p>
<p><b>F13</b></p>	<p><b>F14</b></p>	<p><b>F15</b></p>
<p><b>F16</b></p>	<p><b>F17</b></p>	<p><b>F18</b></p>
<p><b>F19</b></p>	<p><b>F20</b></p>	<p><b>F21</b></p>

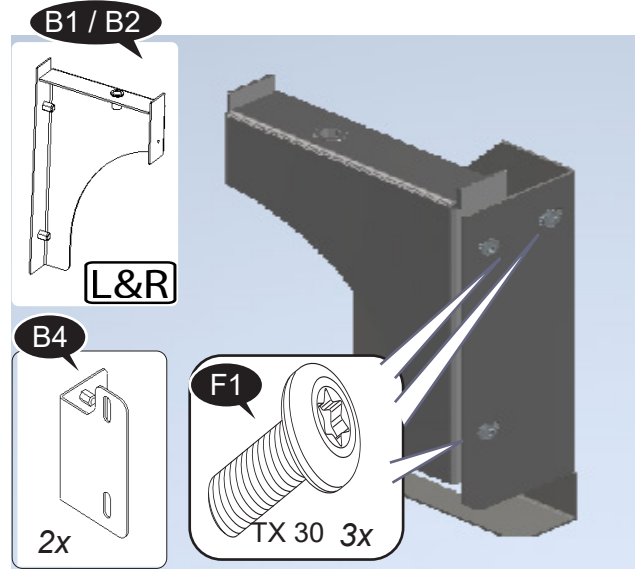
1.

L&R



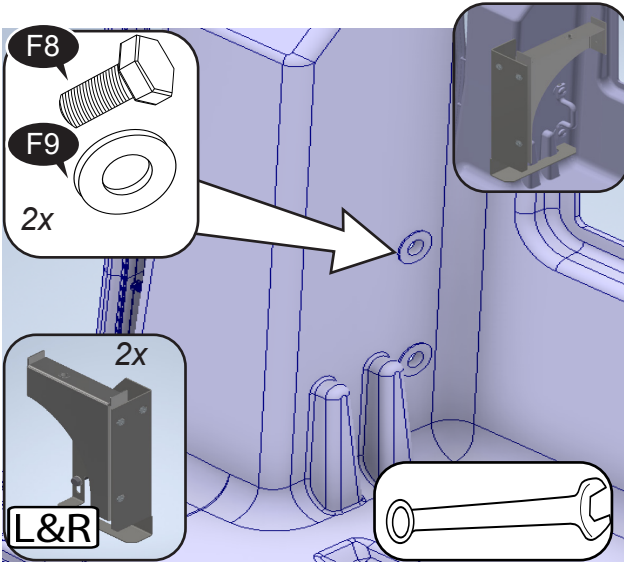
2.

L&R



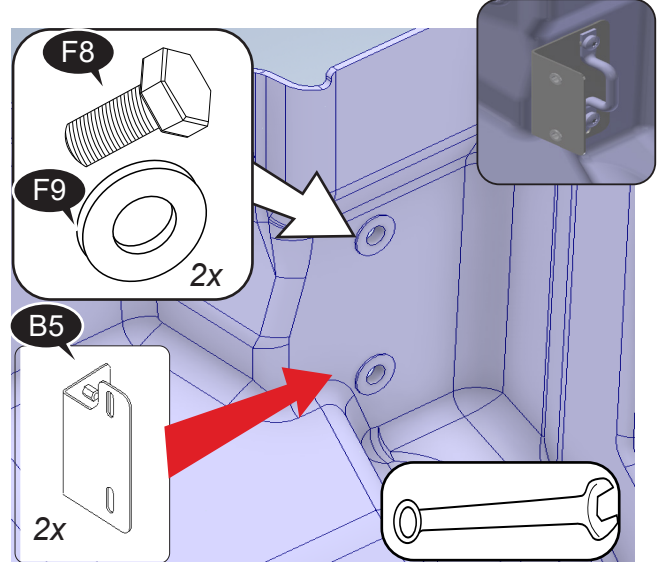
3.

L&R



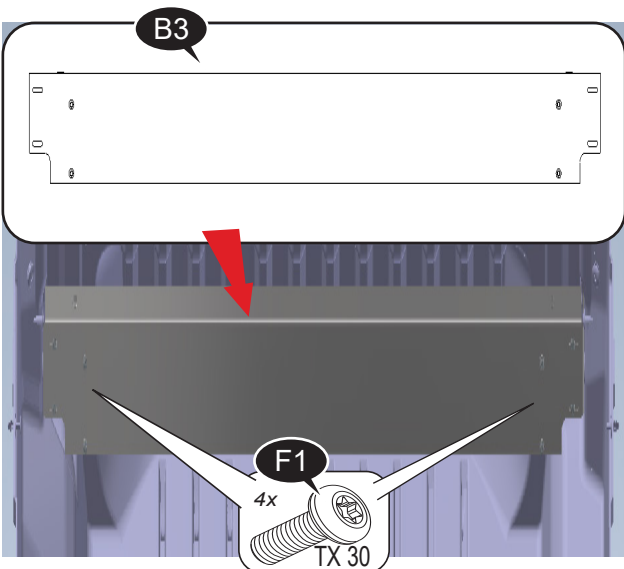
4.

L&R



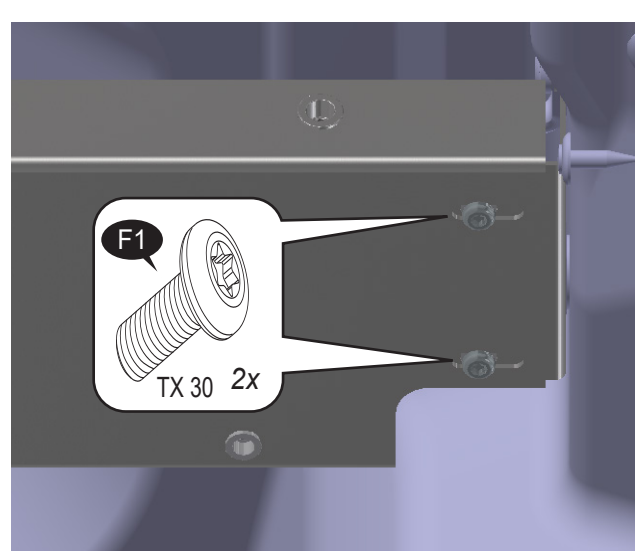
5.

L&R



6.

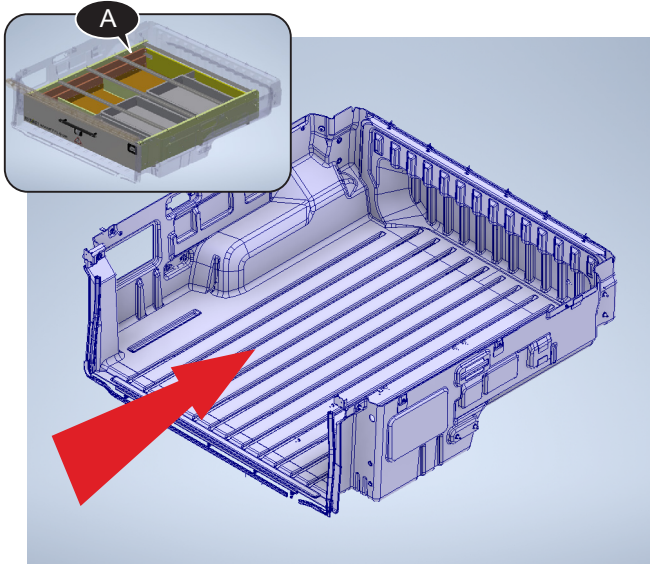
L&R





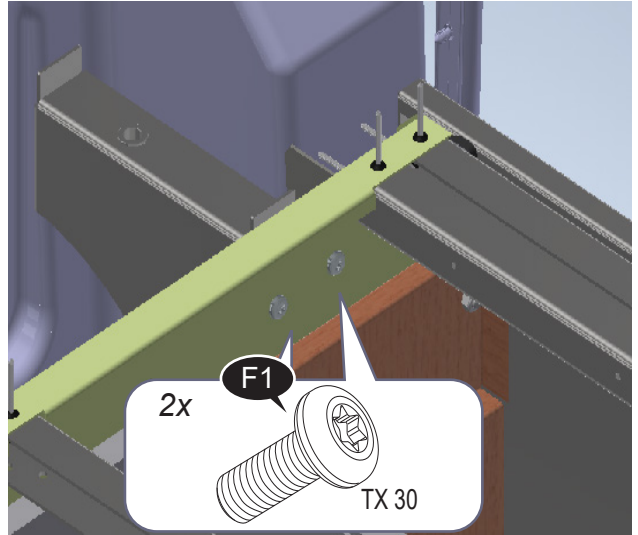
7.

L&R



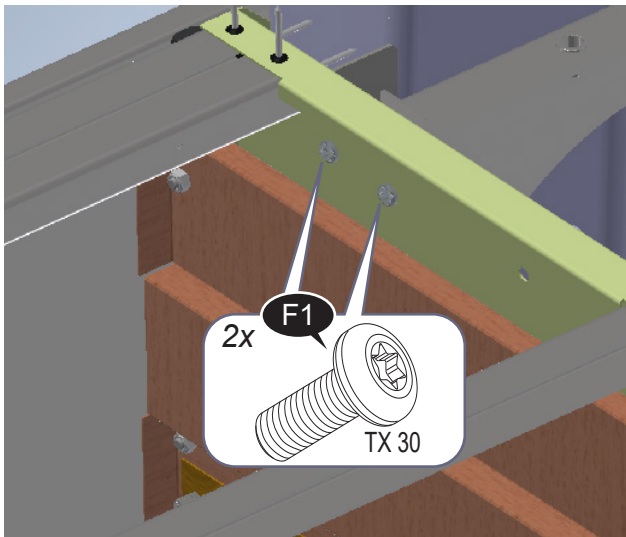
8.

L&R



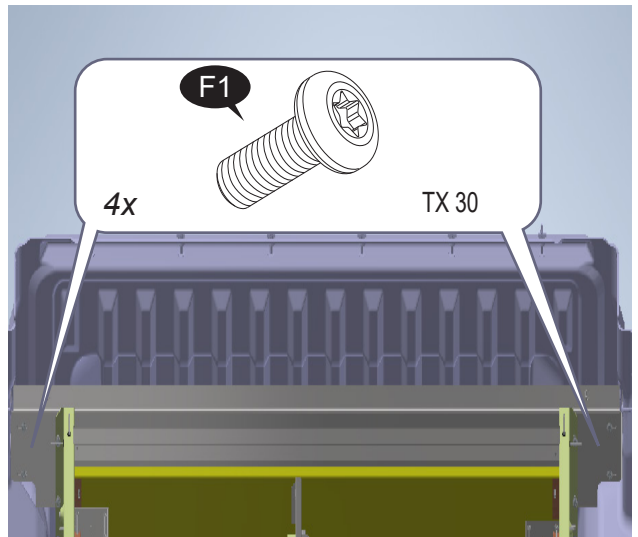
9.

L&R



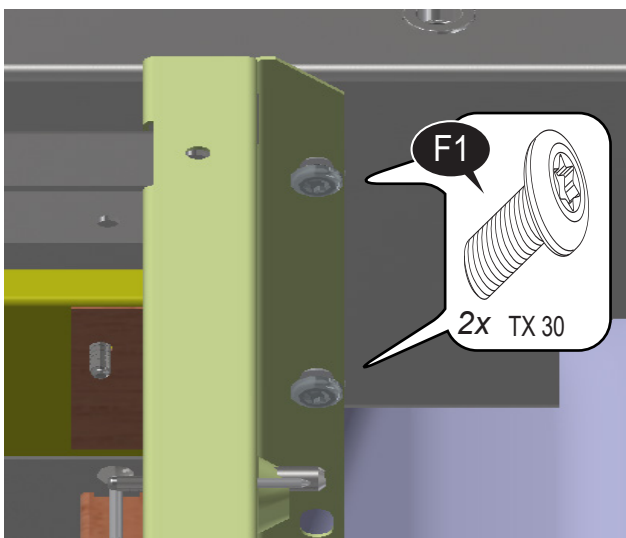
10.

L&R



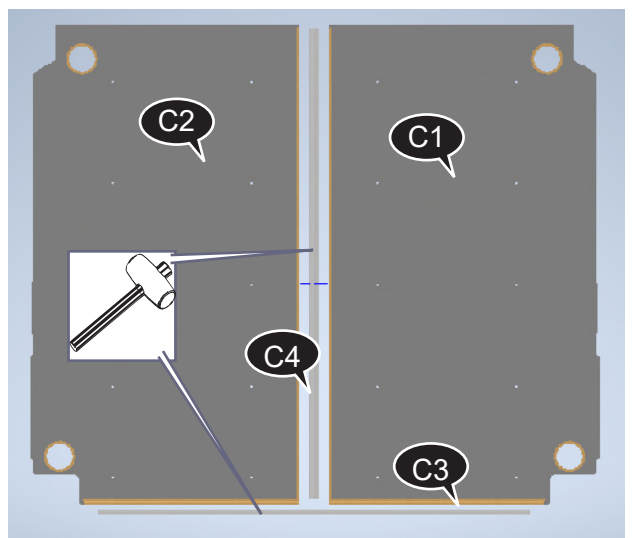
11.

L&R



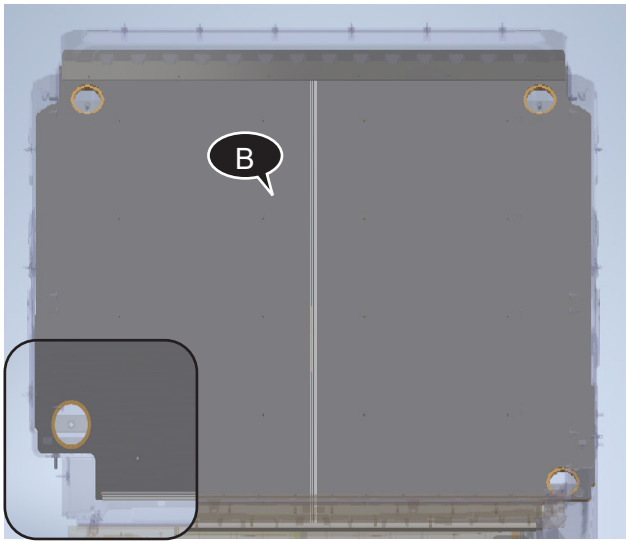
12.

L&R



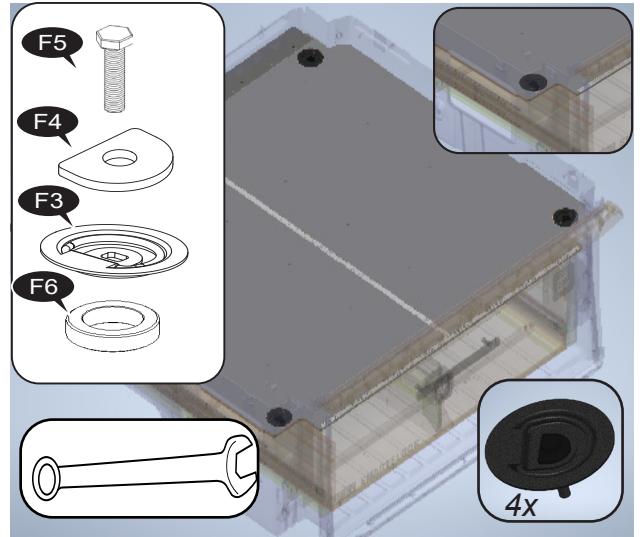
13.

L&R



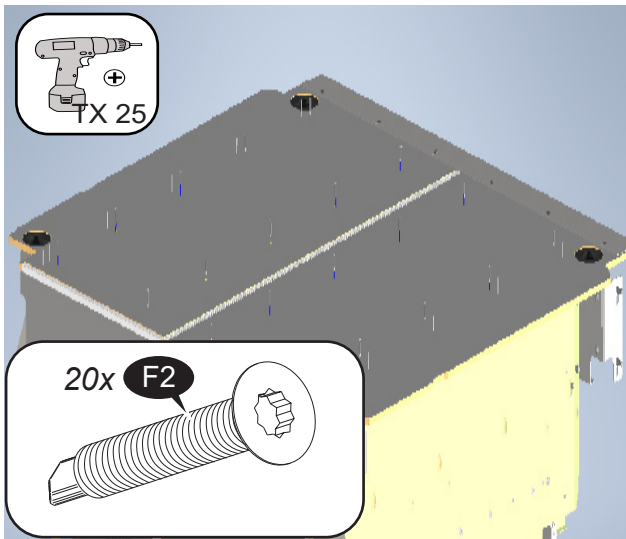
14.

L&R



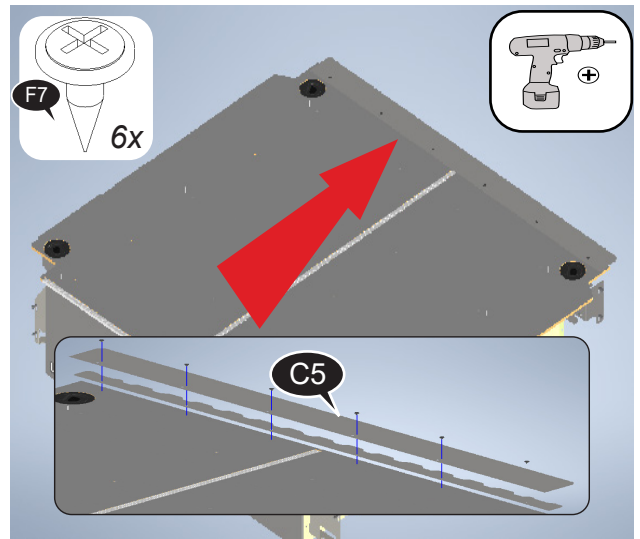
15.

L&R



16.

L&R



17.

L&R

18.

L&R