

# SMARTFLOOR

## Mercedes Vito Front Module Drawer Installation Manual



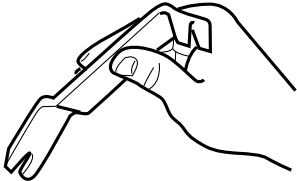
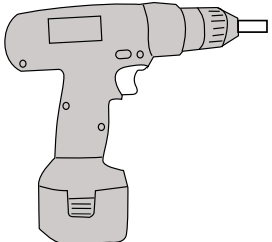
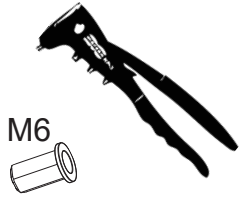
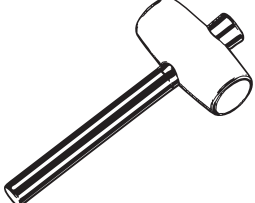
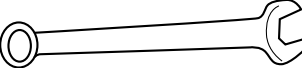
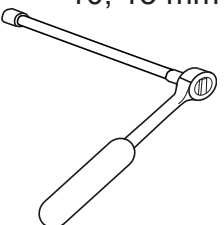



# Revision Record

Rev nr	Date	Page	Picture	Update	New	Deleted steps
02	29.01.2019			Floor Ext.		
03	08.08.2019			Changed Floor Kit		
04	08.10.2019			Norwegian marked only		
07	11.09.2024	8 & 9	4-7	Added Optional Fastening Method		

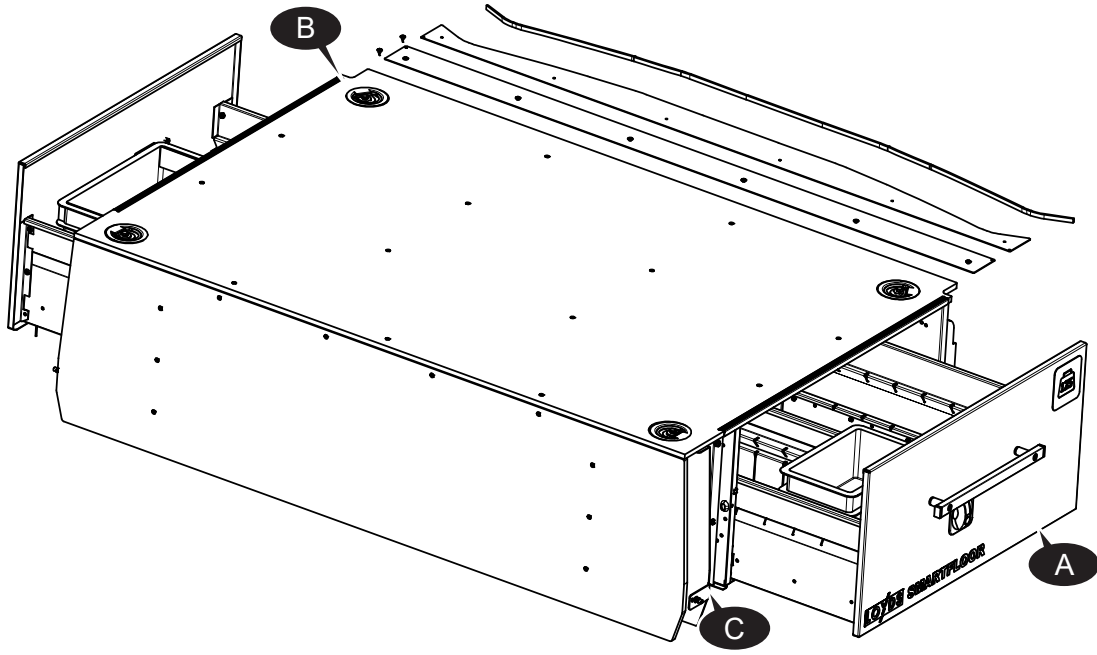
### Recommended torque for screws:

4,2mm Selfdrilling: 3,6 NM  
 6mm: 6 NM  
 8mm: 10 NM  
 10mm: 42 NM

## Tools

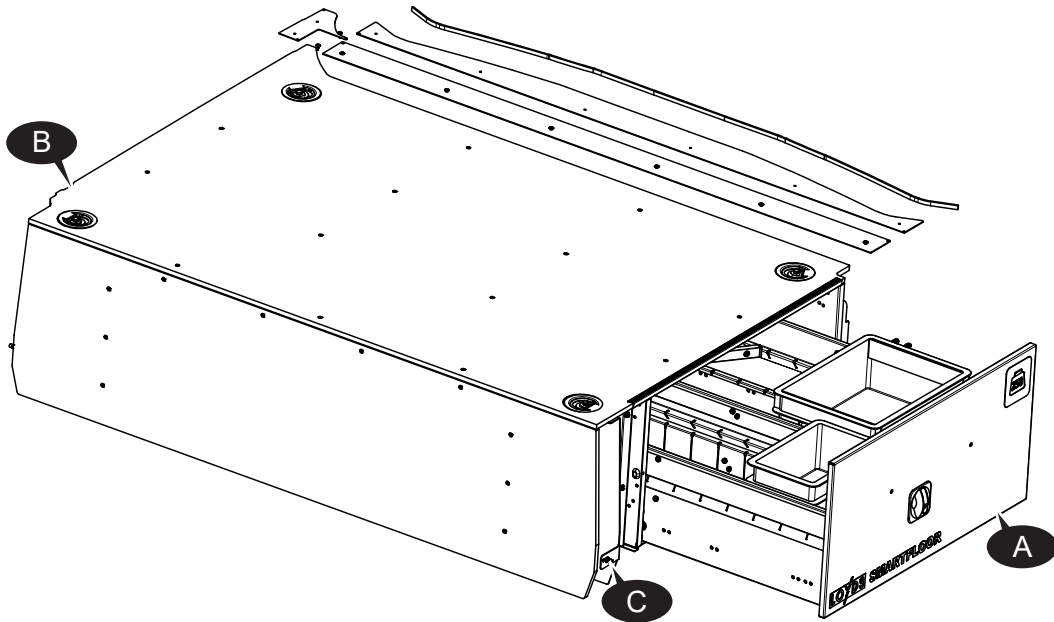
			
10, 13 mm 	10, 13 mm 	Bits T 25 T 30 T 40 	Bits PH2 
			

15015180\_C Front Module Drawer Vito A2 Snookes SEP No 2SLD



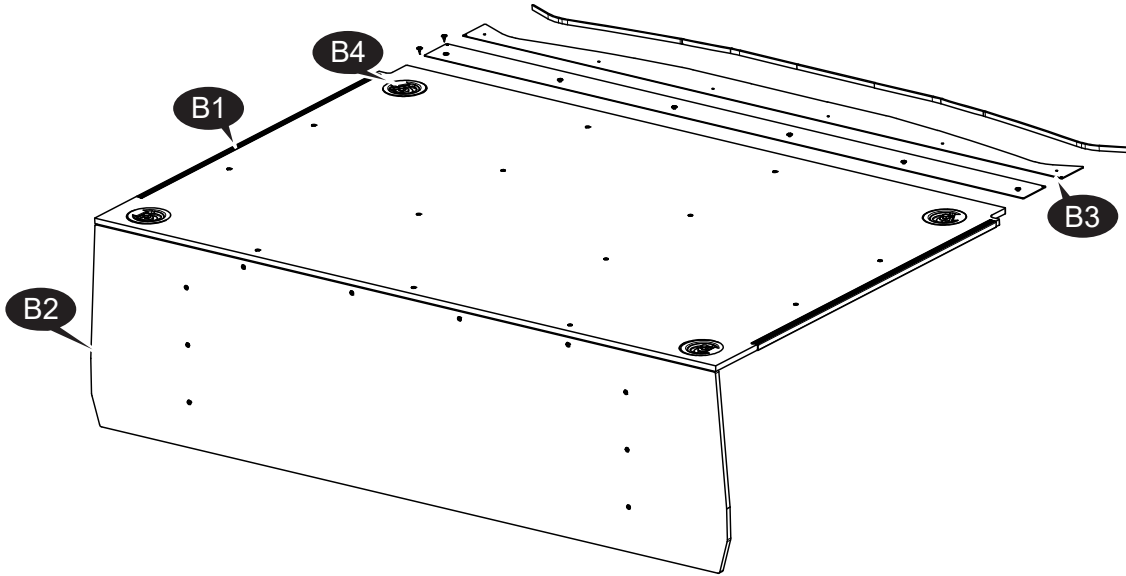
Item	Quantity	Part Number	Description
A	1	15009190	FD2 Front Drawer Complete ASSY
B	1	15017948	Floor Set SF F-Mod Drawer Vito LafiSno Sep 2SLD
C	1	15015176	Steel Bracket Set Front Mod Drawer Vito A2

15015185\_C Front Module Drawer Vito A2 Snookes Sep No 1SLD



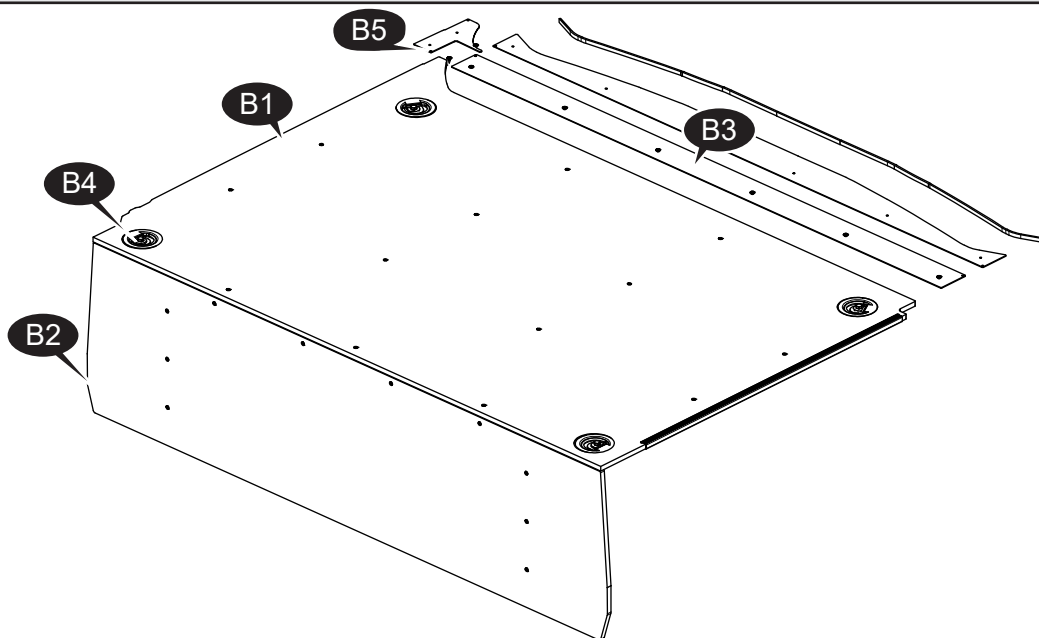
Item	Quantity	Part Number	Description
A	1	15009580	FD1 Front Drawer Complete Assy
B	1	15017947	Floor Set SF F-Mod Drawer Vito LafiSno Sep 1SLD
C	1	15015176	Steel Bracket Set Front Mod Drawer Vito A2

15017948\_A Floor Set SF F-Mod Drawer Vito LafiSno Sep 2SLD



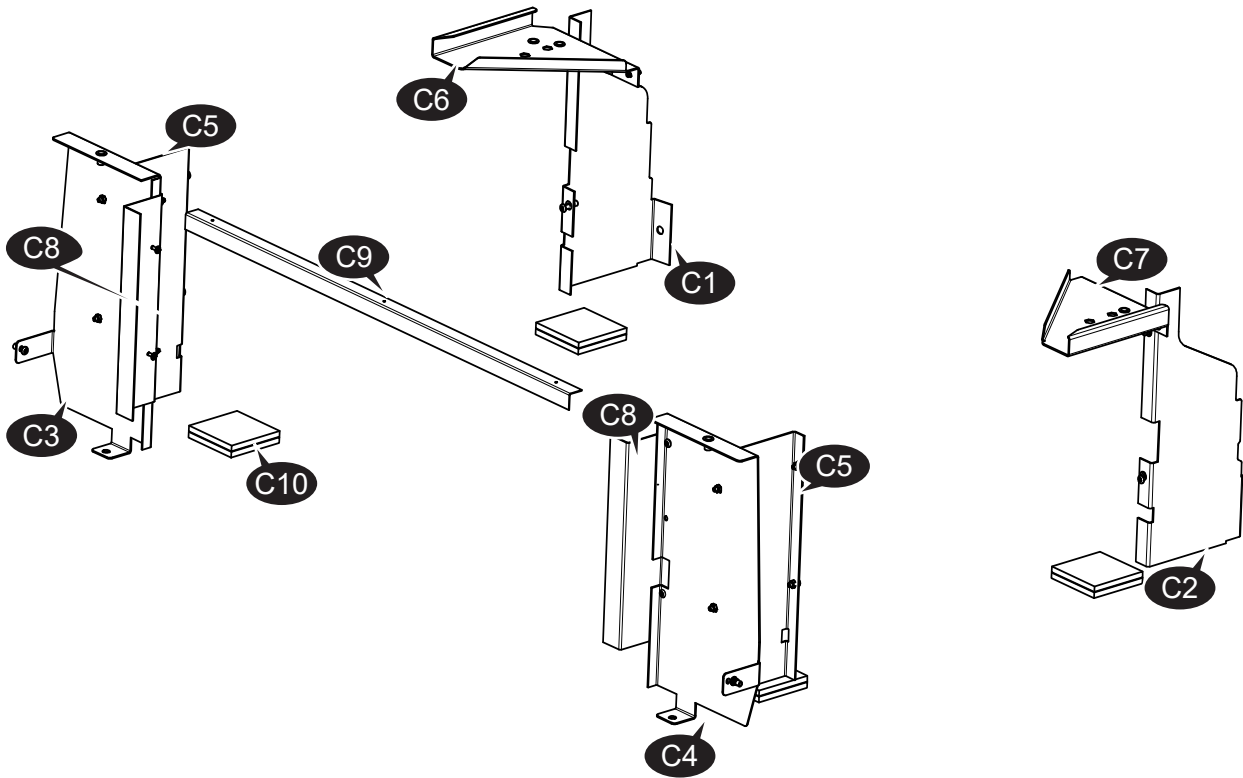
Item	Quantity	Part Number	Description
B1	1	15017944	Front Floor SF F-Mod Drawer Vito LafiSno Sep 2SLD ASSY
B2	1	15015182	Vertical Floor Front Mod Drawer Vito A2 2SLD
B3	1	15017953	Floor Extension Kit SF Vito LafiSno Sep 2SLD 2019
B4	1	15015177	Fitting Kit Floor Front Mod Drawer Vito A2

15017947\_A Floor Set SF F-Mod Drawer Vito LafiSno Sep 1SLD



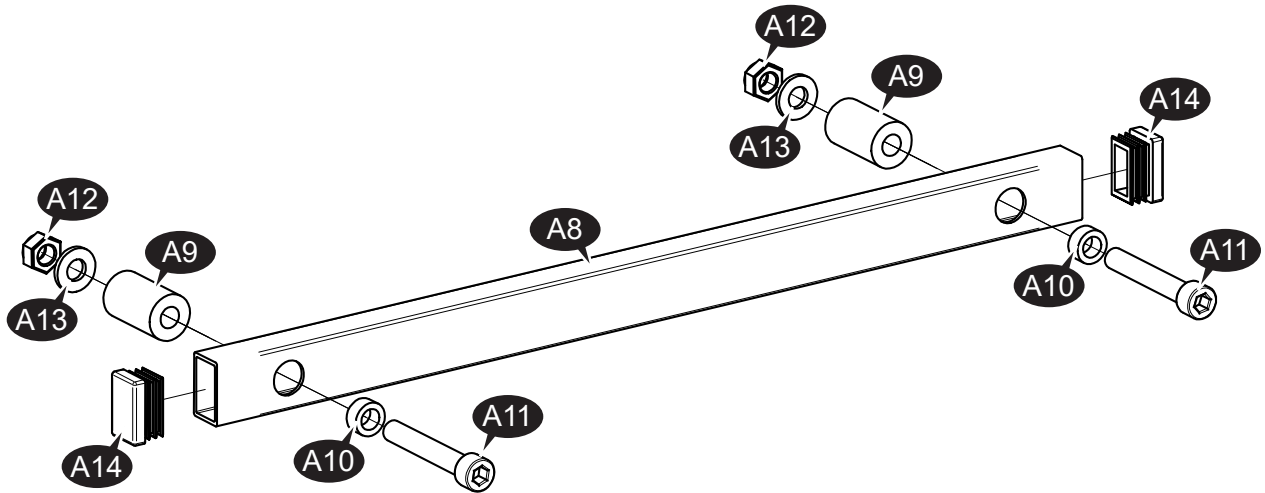
Item	Quantity	Part Number	Description
B1	1	15017943	Front Floor SF F-Mod Drawer Vito LafiSno Sep 1SLD ASSY
B2	1	15015182	Vertical Floor Front Mod Drawer Vito A2 2SLD
B3	1	15017953	Floor Extension Kit SF Vito LafiSno Sep 2SLD 2019
B4	1	15017957	Fitting Kit Floor Front Mod Drawer Vito A2
B5	1	15017957	Floor Extend Bracket SF Vito Lafinto Sep 2019 1SLD

## 15015176 Steel Bracket Set Front Mod Drawer Vito A2



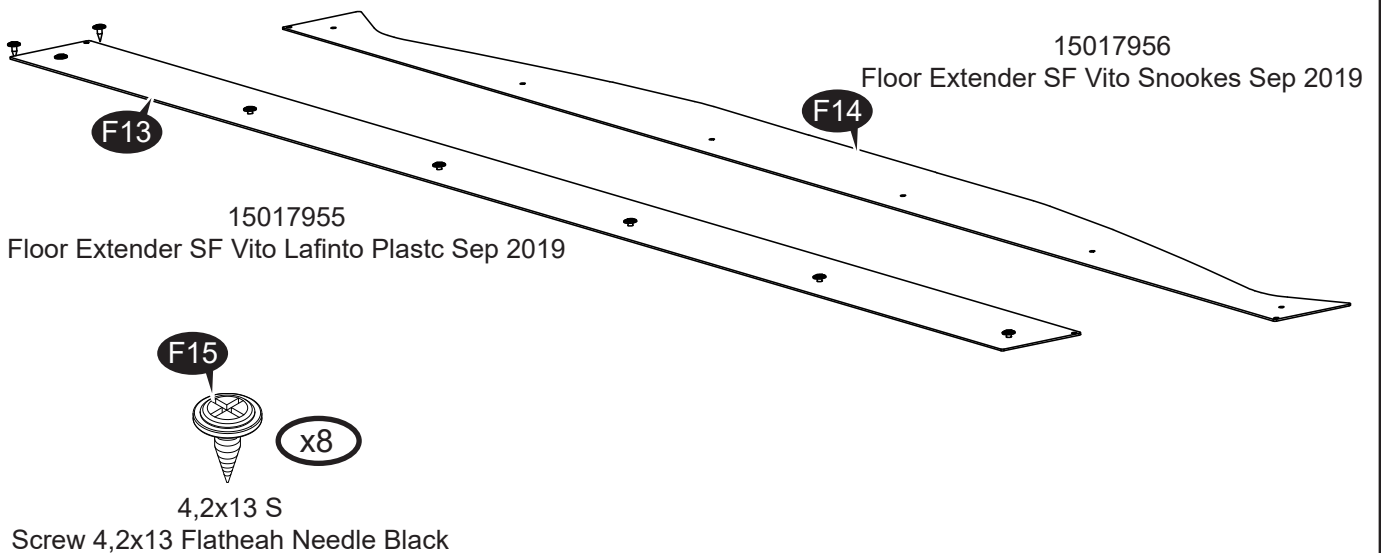
Item	Quantity	Part Number	Description
C1	1	15012335	Bracket Side Front Left Assy
C2	1	15012334	Bracket Side Front Right Assy
C3	1	15012330	Bracket Side Middle Left w Latch Assy
C4	1	15012331	Bracket Side Middle Right w Latch Assy
C5	2	15012319	Bracket Connect Front Rear Drawer
C6	1	15011032	Bracket Latchcup M8 Multi Left Assy
C7	1	15011031	Bracket Latchcup M8 Multi Right Assy
C8	2	15015181	Bracket Vertical Floor Front Mod Drawer Vito
C9	1	15012687	Angle Vertical Floor Rear Module Drawer
C10	1	15015178	Fitting Kit Steel Bracket Set Front Mod Drawer Vito A2

## 15010236 Handle Assy

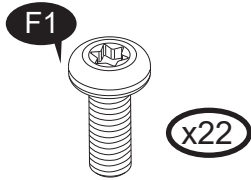


Item	Quantity	Part Number	Description
A8	1	15009441	Handle Tube 25x15x286
A9	2	15009442	Spacer Ø8,3x18x30 Nylon Black
A10	2	15009443	Spacer Ø8,1x13x6mm Galv
A11	2	15009444	Screw M8x50 Cylinderh Hex
A12	2	8 NMU	Mutter M8 Nyloc DIN985
A13	2	8,4x17x2	M8 Washer, DIN 125
A14	2	15009438	End Plug Tube 25x15 Inside

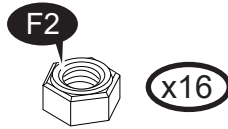
## 15017953\_A Floor Extension Kit SF Vito LafiSno Sep 2SLD 19



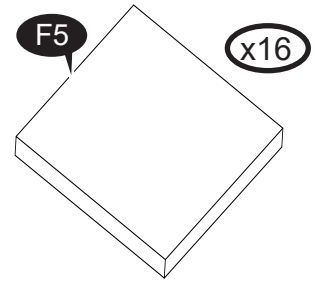
## 15015178\_A Fitting Kit Steel Bracket Set Front Drawer Vito A2



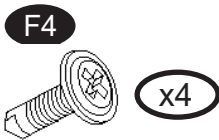
15003551  
M6x16 TX30 pan (DIN 7985)



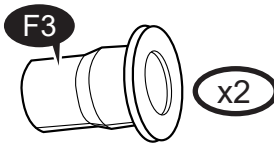
6 NMU  
M6 Self Locking nut, DIN 985-8



15017714  
Wooden Spacer 9x100x100

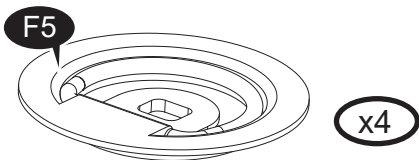


4,2x16 FLS  
Screw Selfdrill flath elz

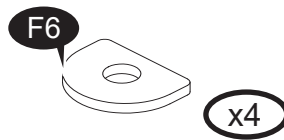


15003550  
M6 Popnut short

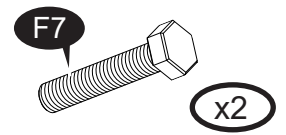
## 15015177\_A Fitting Kit Floor Front Mod Drawer Vito A2



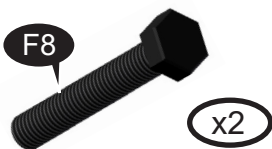
15005497  
Latch Cup Black Ø90 Ø12x15 1000Kp



15005884  
Washer Latchcup for Ø8



8x40 6KS  
M8x40mm Bolt, DIN 933, sort



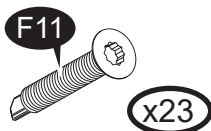
15004713  
M8x50mm Bolt, 6K DIN 933 Black



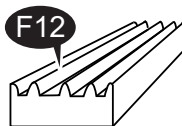
15001584  
Distansehylse D20 d13 h15



11,3x18x12  
Distansehylse B-223 Plast



15009568  
Screw 4,8x32 Selfdrill Counters Torx  
Elz

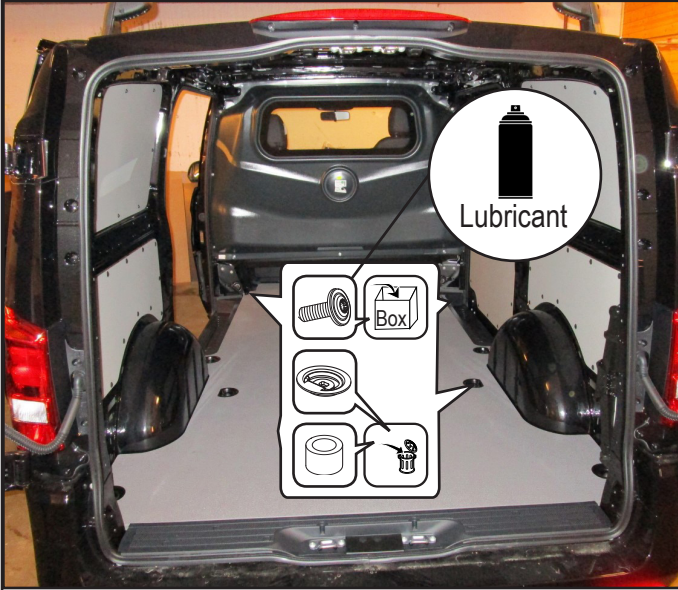


36.721004  
Window rubber profile  
L: 1600mm

1.

With Wood floor

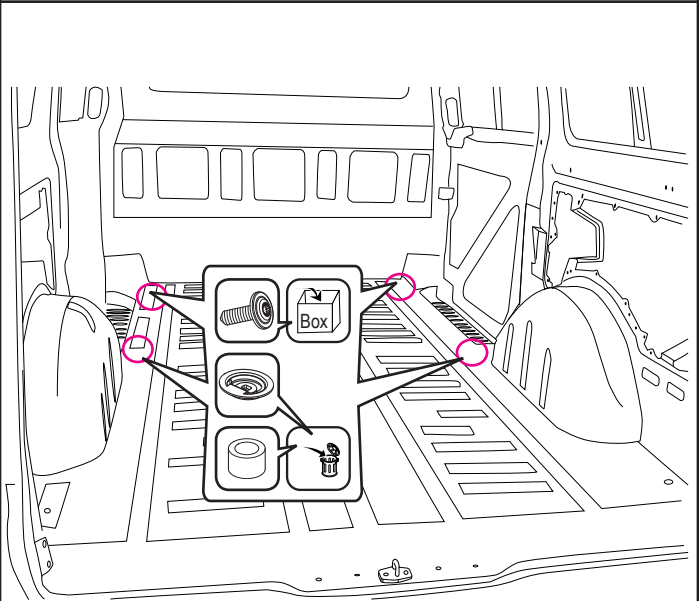
L&R



2.

No Wood floor

L&R



3.

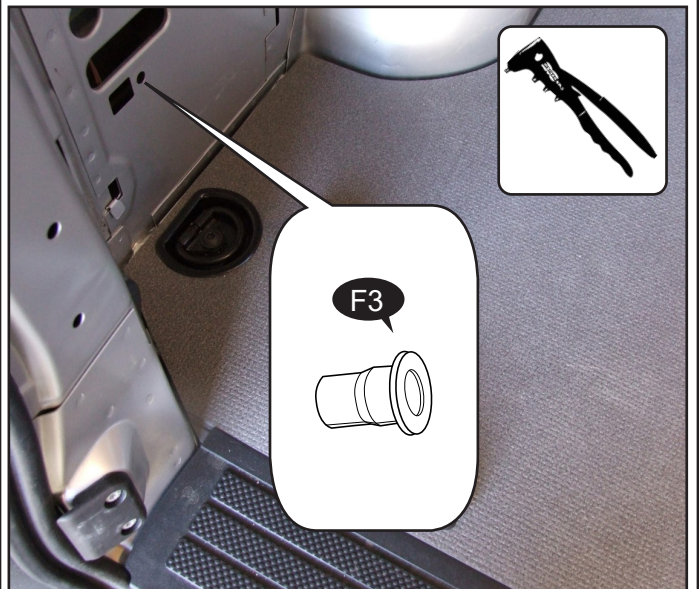
RH



4.

OBS! Optional Fastening Method

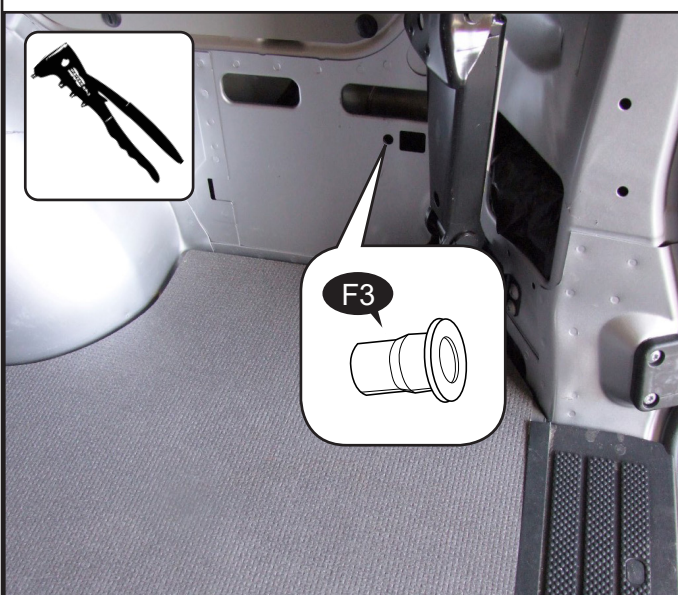
LH



5.

OBS! Optional Fastening Method

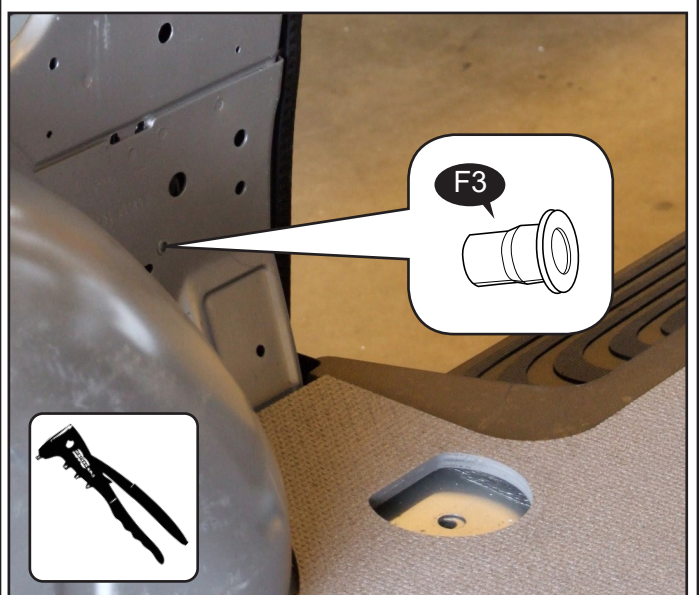
L&RH



6.

OBS! Optional Fastening Method

LH





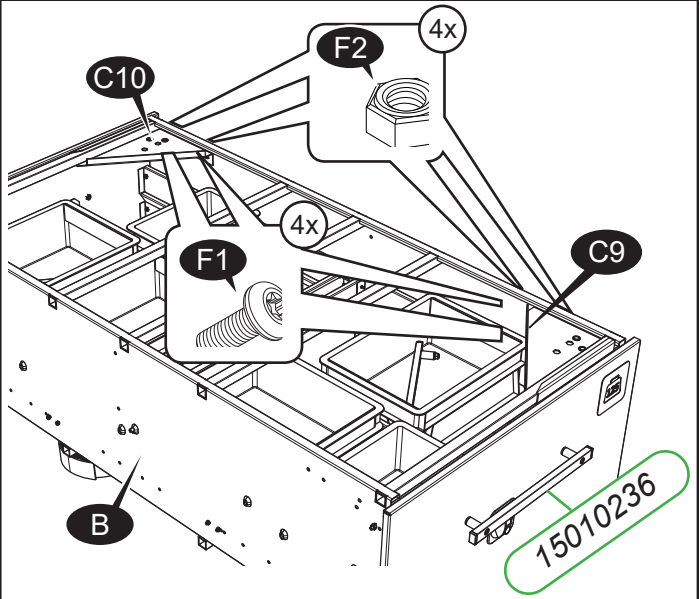
7.

OBS! Optional Fastening Method

RH

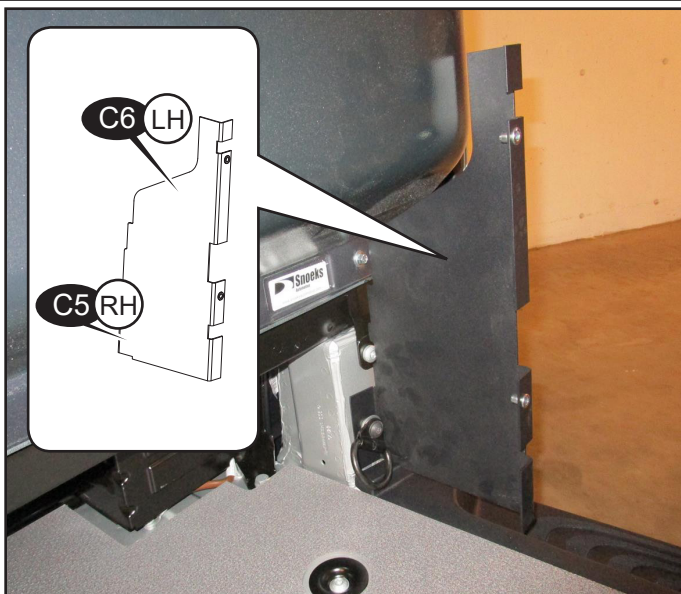


8.



9.

L&R



10.

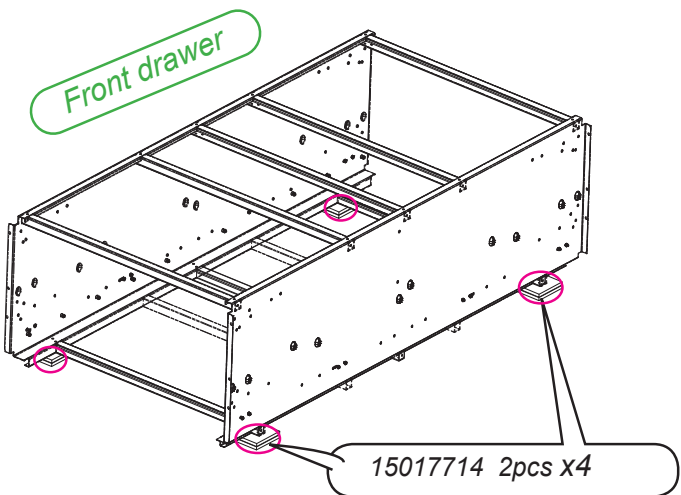
L&R



11.

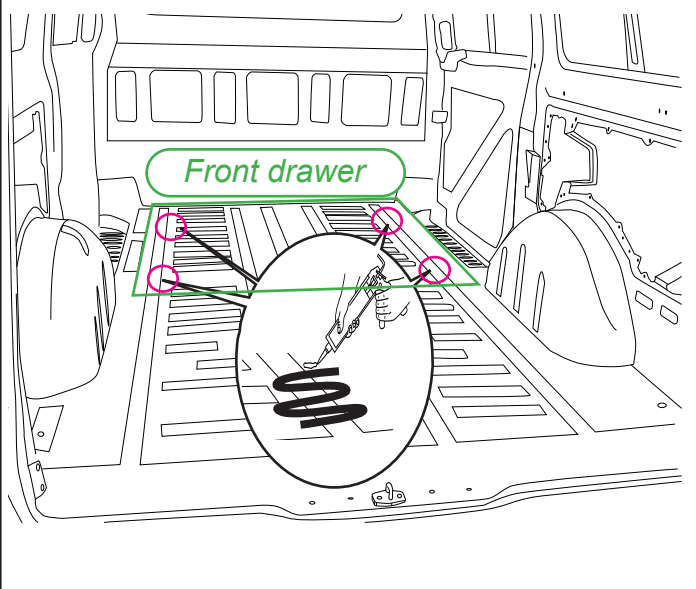
L&R

No Wood floor

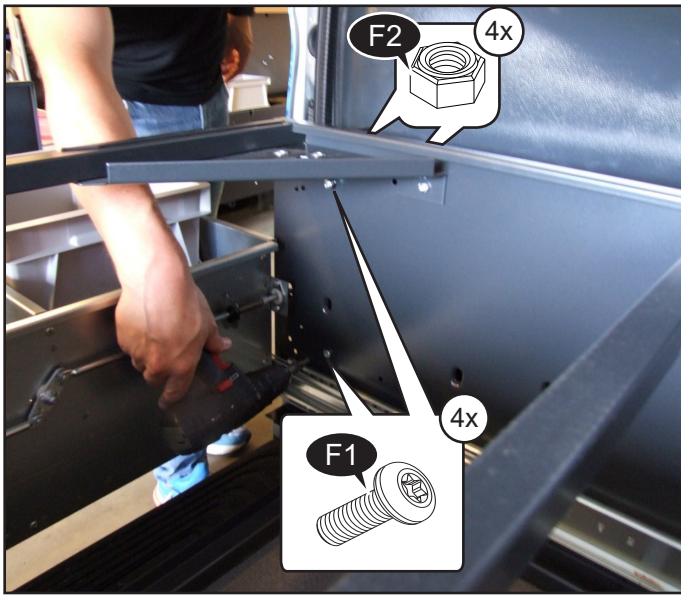


12.

L&R

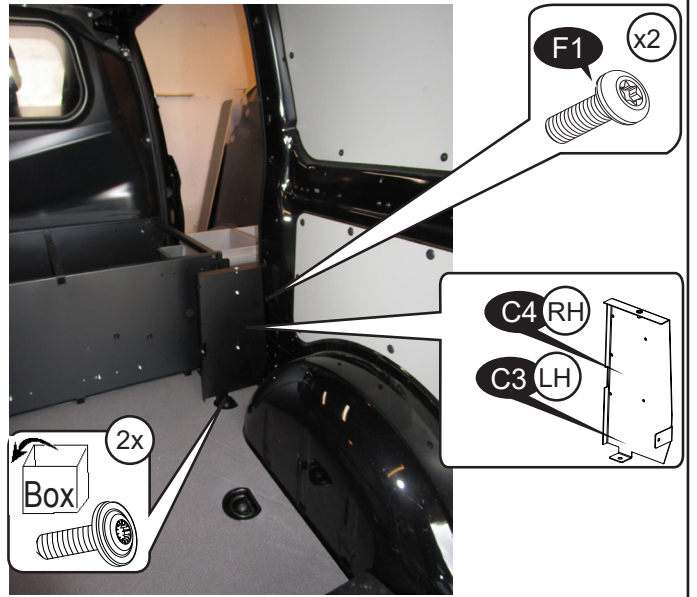


13.



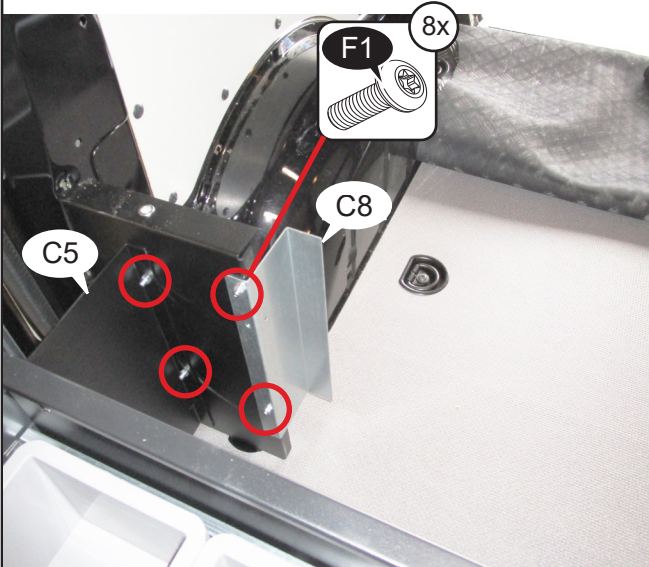
14.

L&R



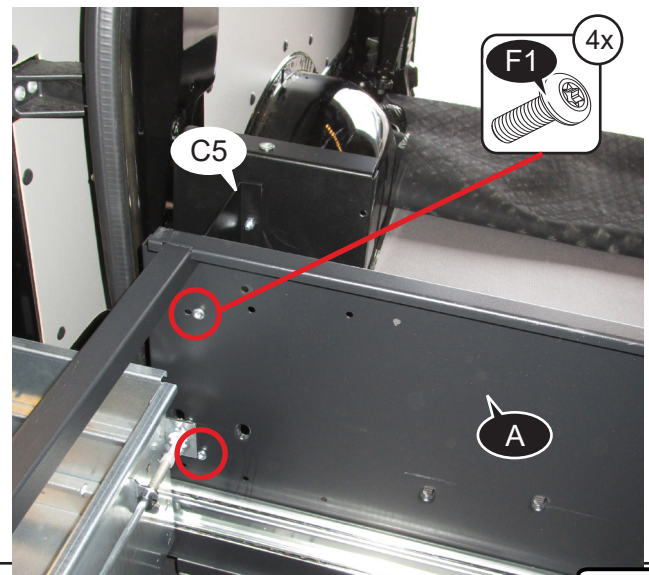
15.

L&R



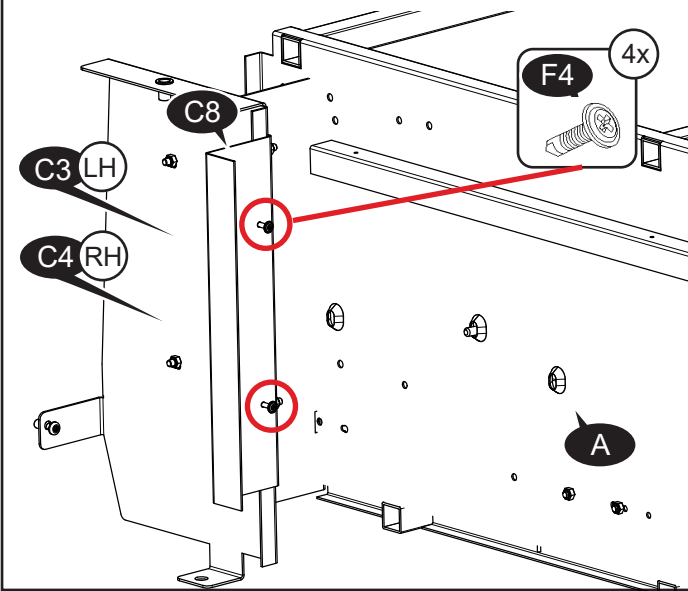
16.

L&R



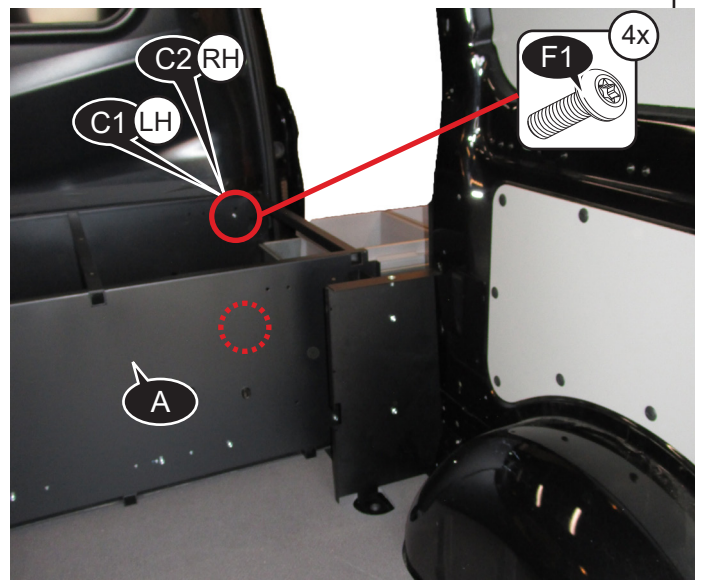
17.

L&R



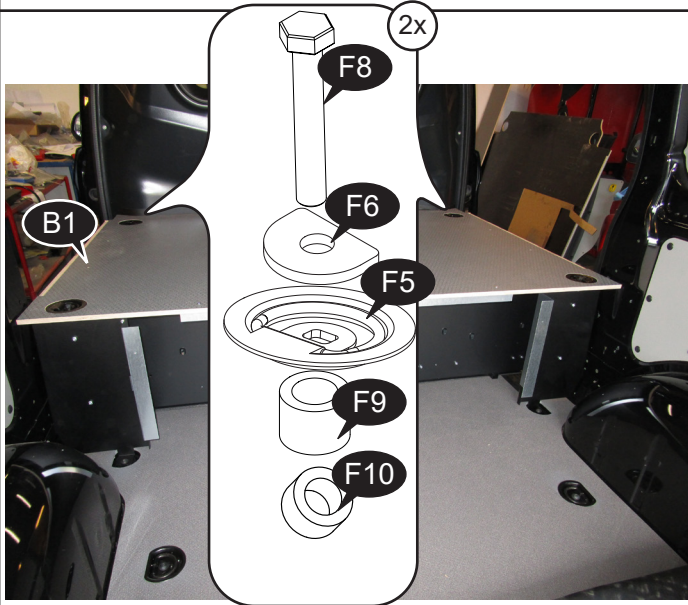
18.

L&R



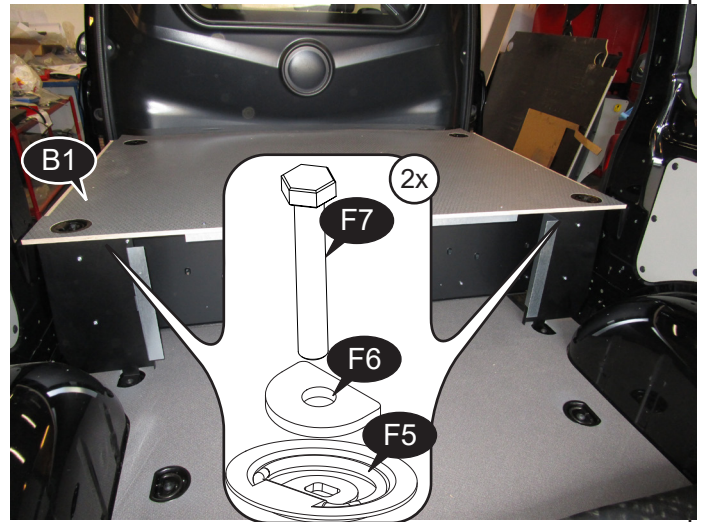
19.

L&R

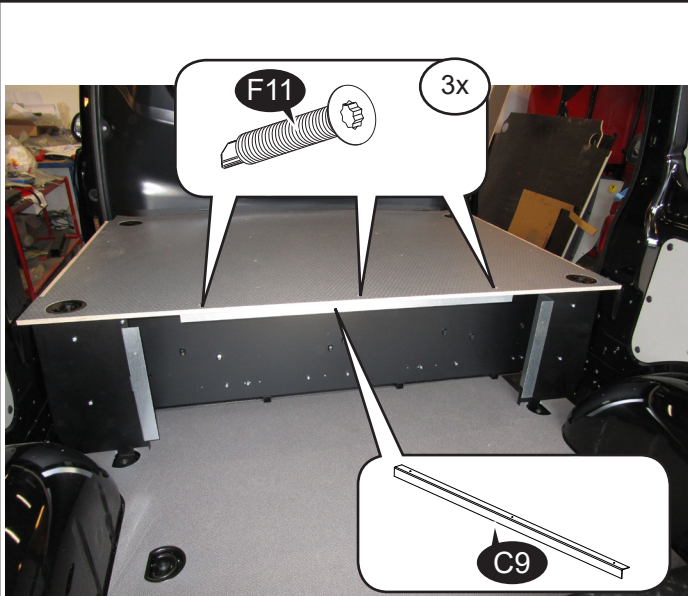


20.

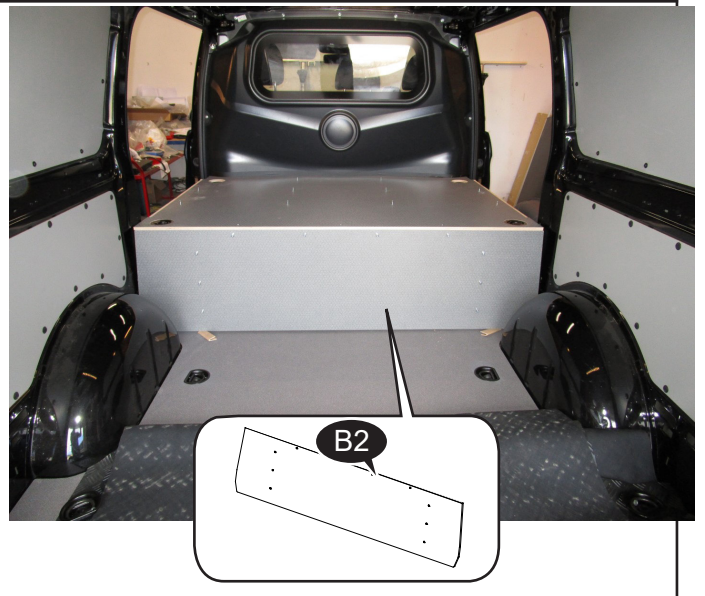
L&R



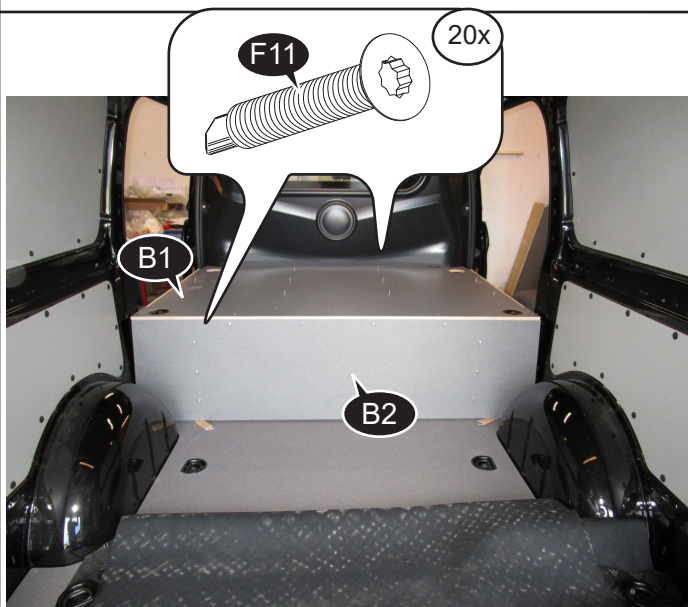
21.



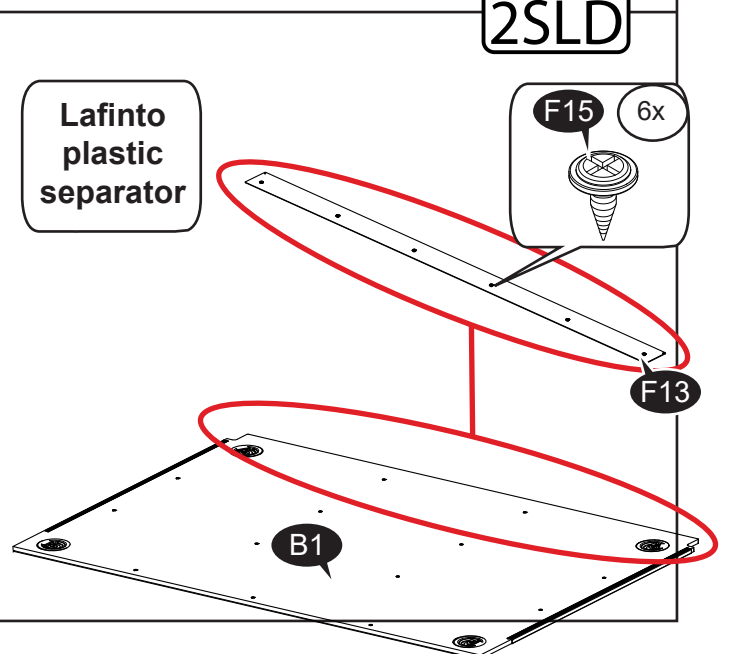
22.



23.



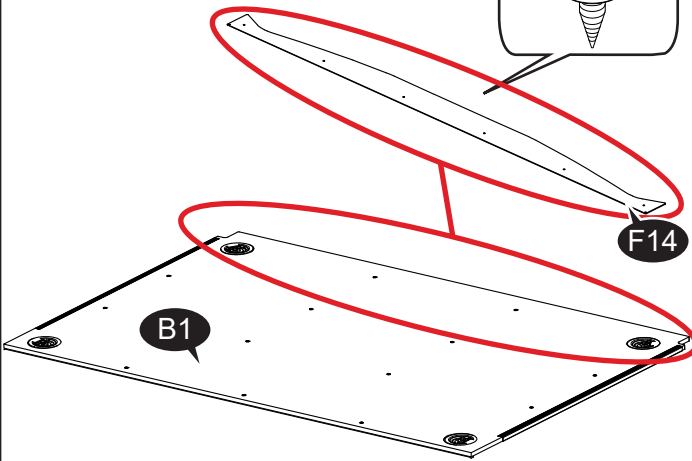
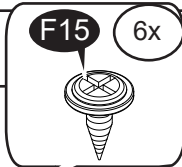
2SLD



25.

2SLD

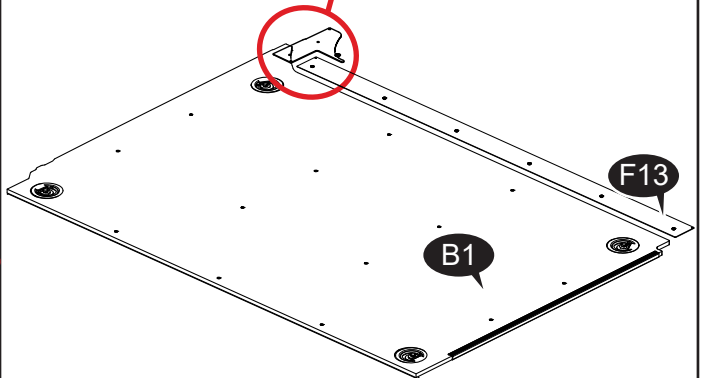
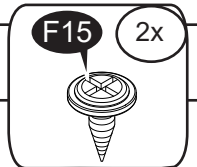
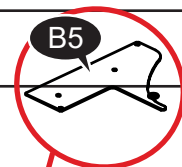
Snookes separator



24.

1SLD

Lafinto plastic separator



Mount rubber profile between floor extender and separator

